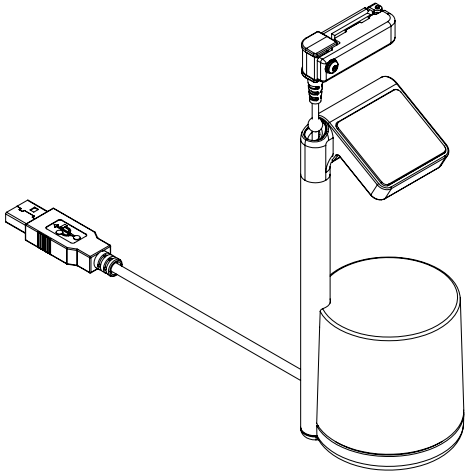
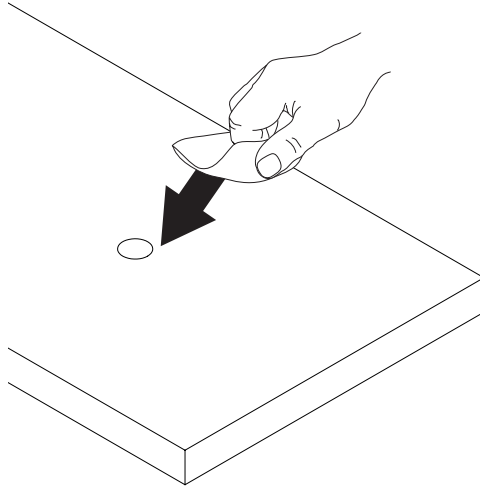


## W2000

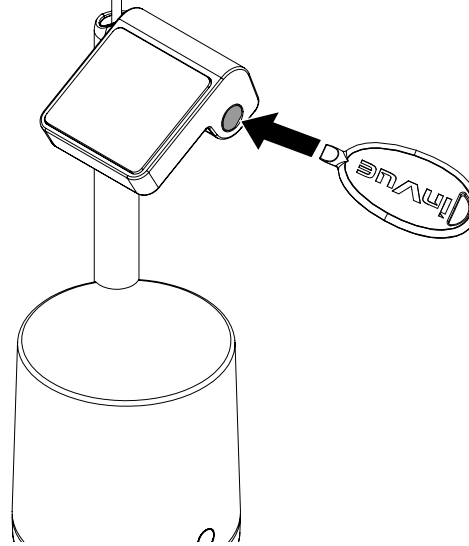
All Above Table Wearable Solution  
ZW2000



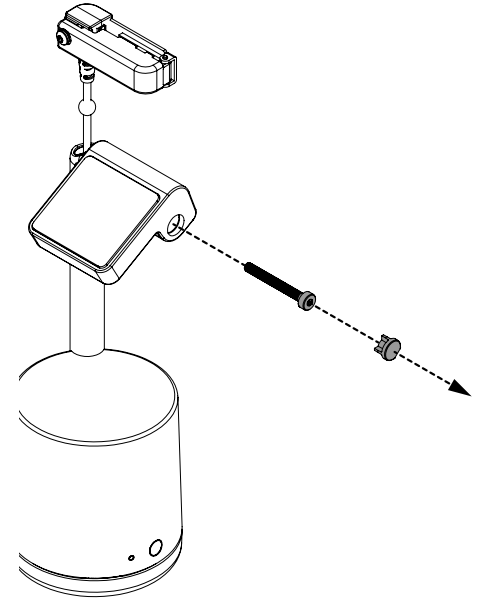
- 1** Use the provided alcohol wipe to clean the fixture where the stand will be placed. Allow it to dry completely.



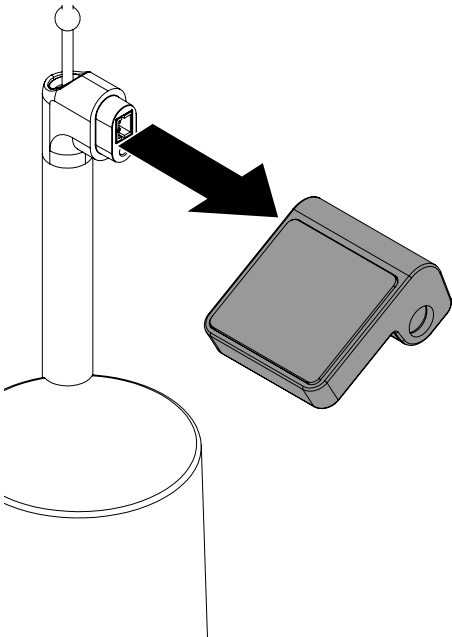
- 2a** **Custom OEM Charger Trim Kit Installation:**  
If installing an OEM charger and/or trim piece, use a key fob tool to remove the plug from the side of the cradle.



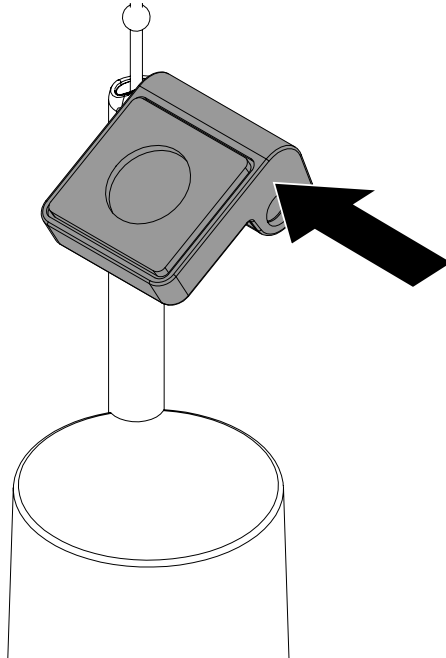
- 2b** Remove the plug and use the TT8 bit to remove the screw from the side of the cradle



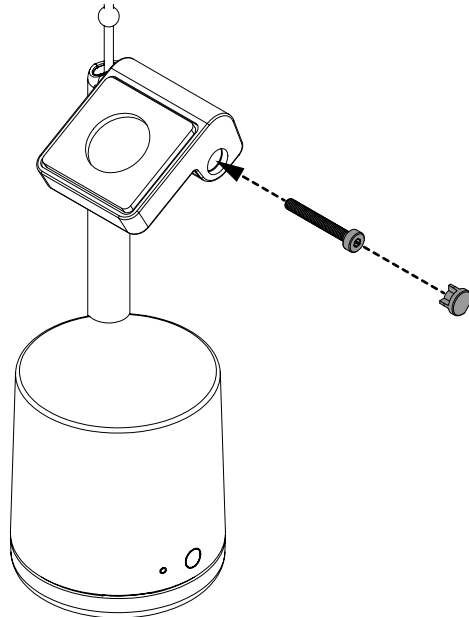
- 2c** Remove the original cradle from the stand.



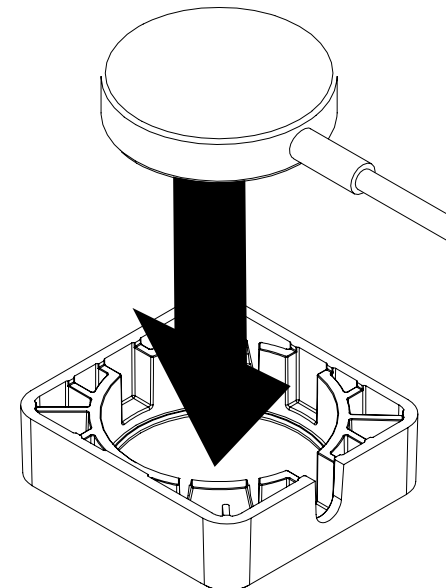
- 2d** Place the new cradle included in the kit onto the stand.



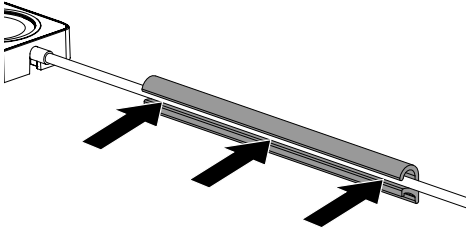
- 2e** Secure the new cradle with the screw. Insert the plug into the hole in the side on the cradle.



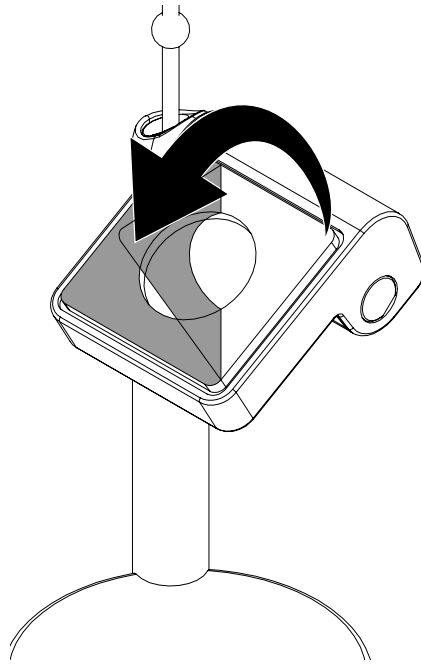
- 2f** Snap the OEM charger into the trim piece. Ensure that the charger is fully inserted and sits flush with the top surface of the trim piece.



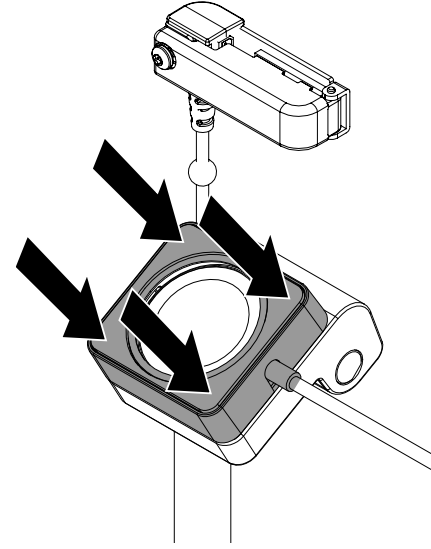
**2g** Route the OEM charger cable into the cable guide.



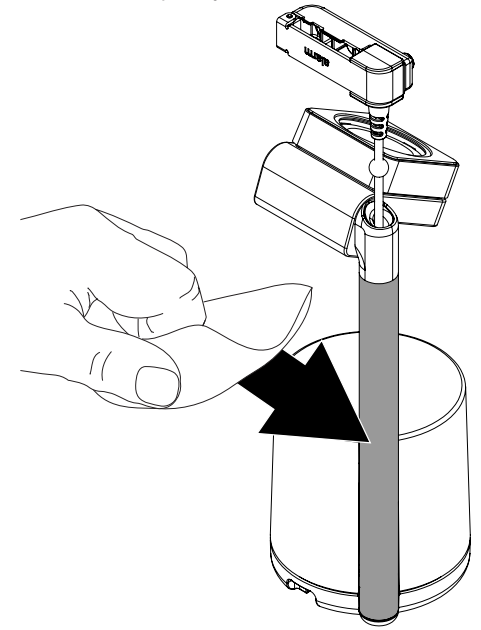
**2h** Peel the clear film from the adhesive.



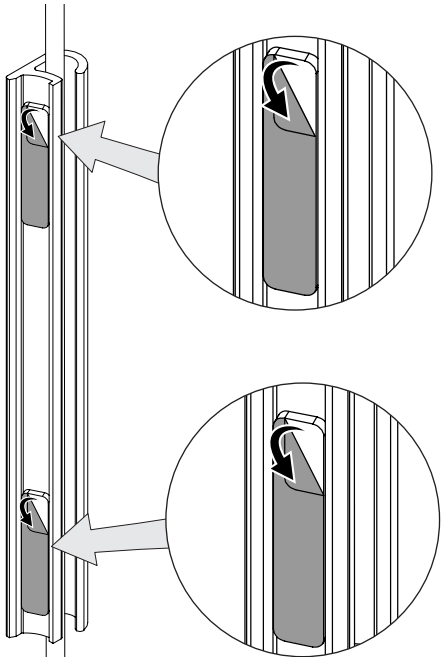
**2i** Place the OEM charger/cradle assembly onto the cradle. Make sure that the adhesive sits in the depression and press the trim piece, NOT the charger, against the cradle for at least 10 seconds.



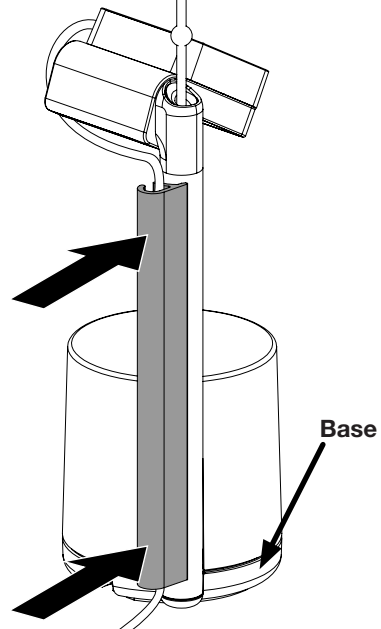
**2j** Use the provided alcohol wipe to clean the stem. Allow it to dry completely.



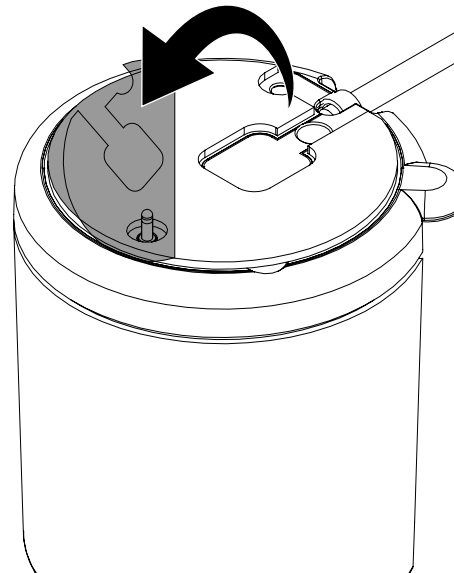
**2k** Peel the clear film from the 2 adhesives from the cable guide.



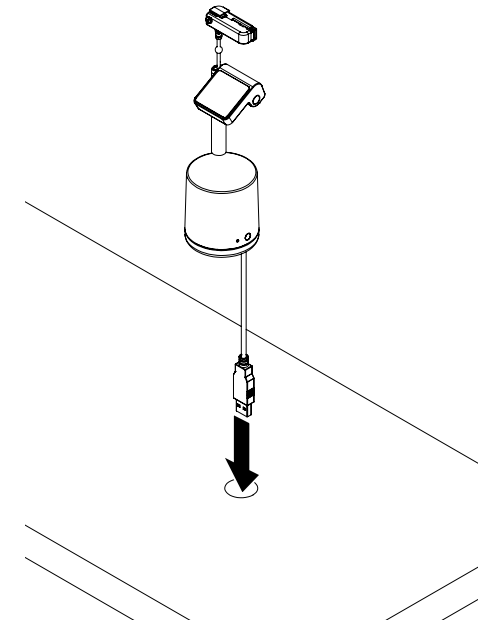
**2l** Align the bottom of the cable guide to the top of the base. Apply pressure for at least 10 seconds.



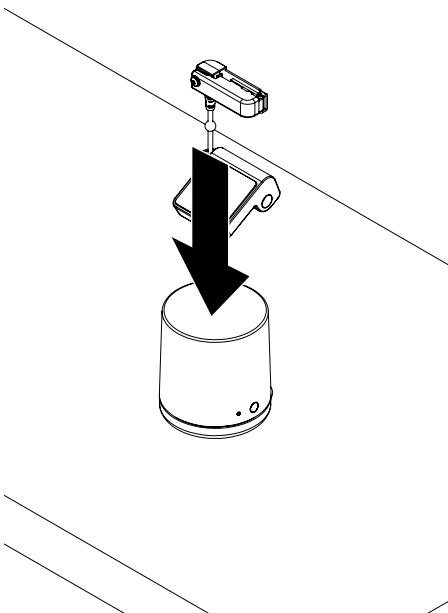
**3** Peel the clear film from the adhesive on the bottom of the stand.



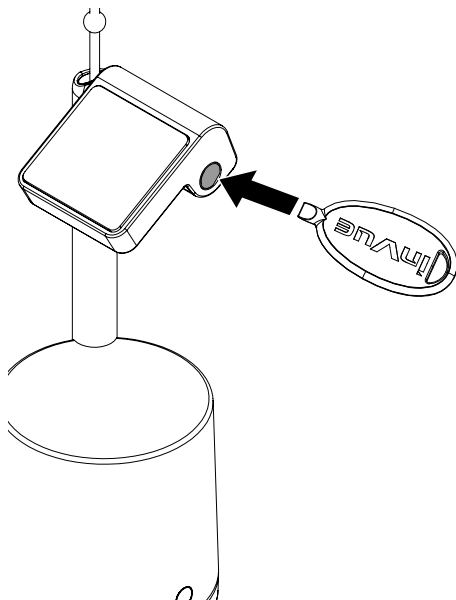
**4 Optional:** Route the power cable through a hole or slot in the fixture.



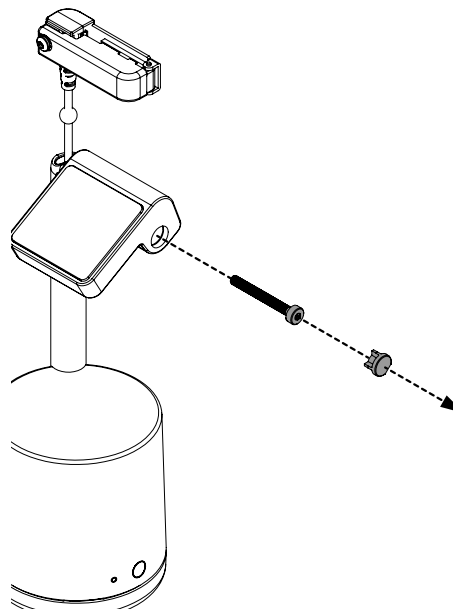
**5** Place the stand in the desired location and apply pressure for at least 10 seconds.



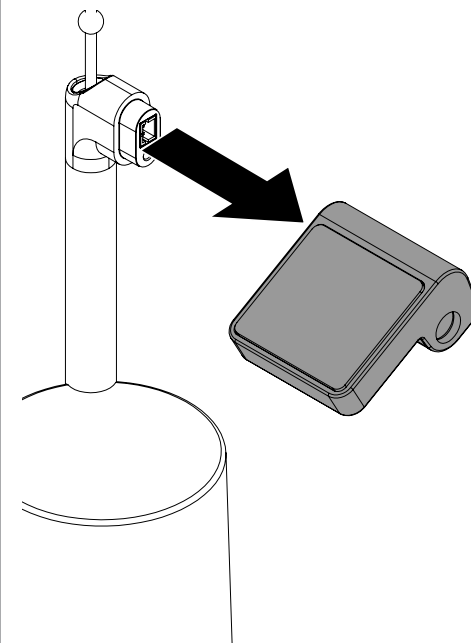
**6a Custom Charger Installation:**  
If installing a custom charger cradle, use a key fob tool to remove the plug from the side of the cradle.



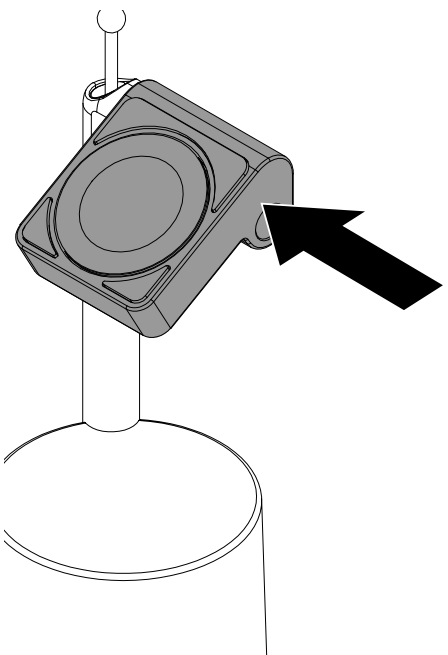
**6b** Remove the plug and screw from the side of the cradle.



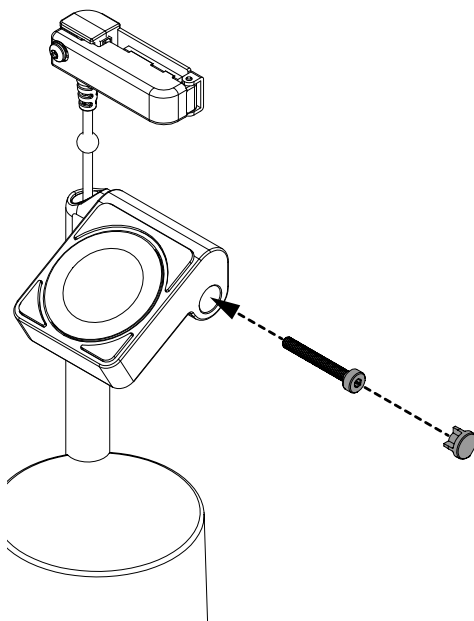
**6c** Remove the original cradle from the stand.



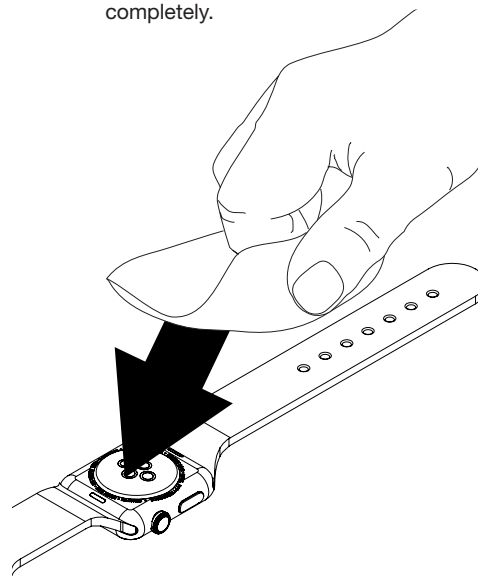
**6d** Place the custom charger cradle onto the stand.



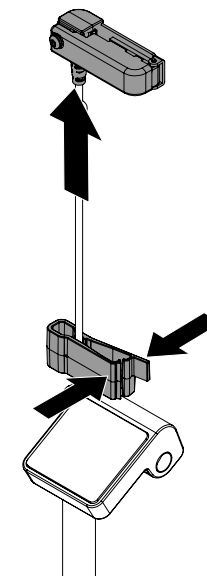
**6e** Secure the custom charger cradle with the screw. Insert the plug into the hole in the side on the cradle.



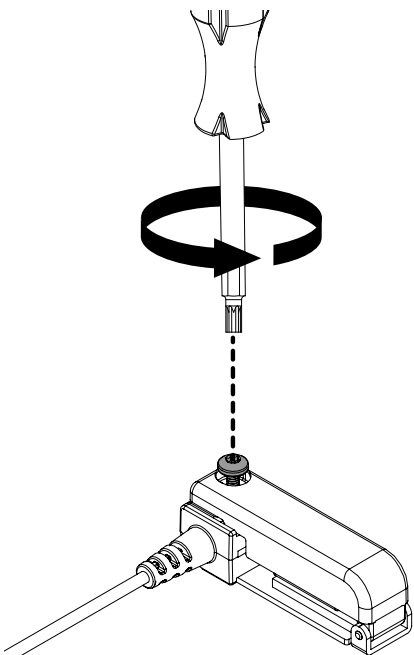
**7** Use the provided alcohol wipe to clean the underside of the wearable that will be displayed. Allow it to dry completely.



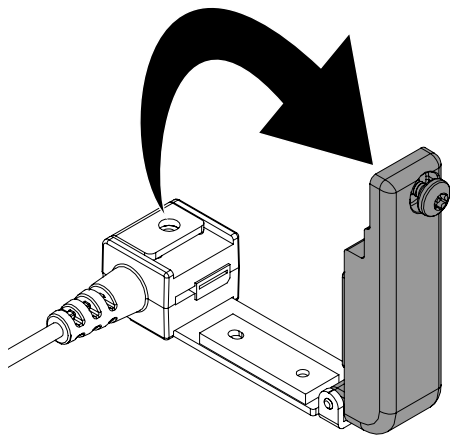
**8** Lift the band clamp from the stand, pulling enough cable to aid in the installation of the wearable. Snap the included cable stop clip around the cable to prevent it from retracting.



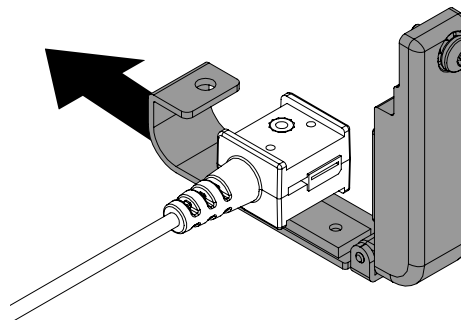
- 9** Use a TT8 bit to loosen the screw in the band clamp.



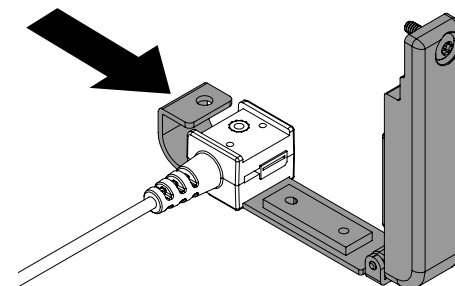
- 10** Open the band clamp.



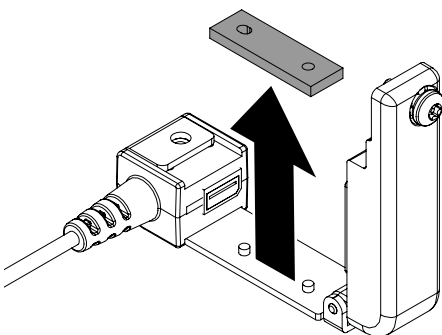
- 11a** **Large Band Clamp Installation:**  
If the wearable being displayed has a band that is too large to fit in the standard band clamp, slide the band clamp off of the sensor.



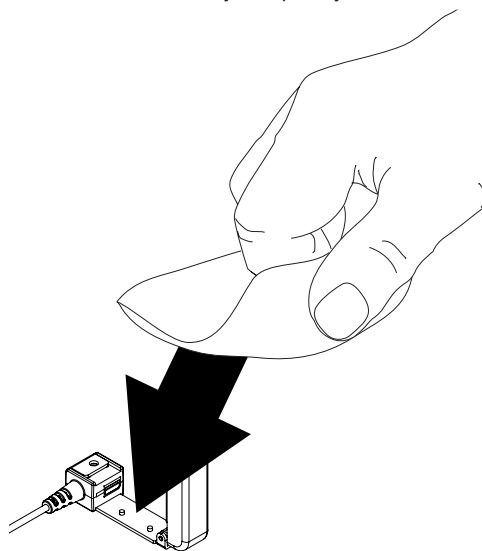
- 11b** Slide the large band clamp onto the sensor. Proceed with the installation as normal.



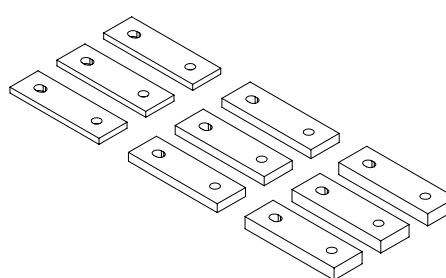
- 12a** **Alternate Pad Installation:**  
If the wearable being displayed has a band that is too thick or too thin to be held securely in the band clamp, remove the preinstalled pad from the band clamp.



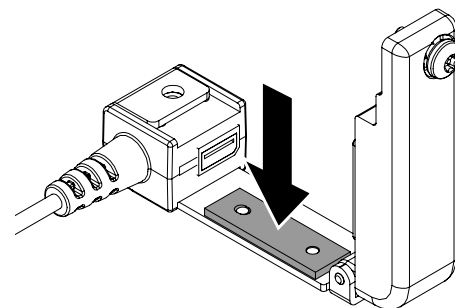
- 12b** Use an alcohol wipe to clean the area where the pad was. Ensure that all of the adhesive residue is removed. Allow it to dry completely.



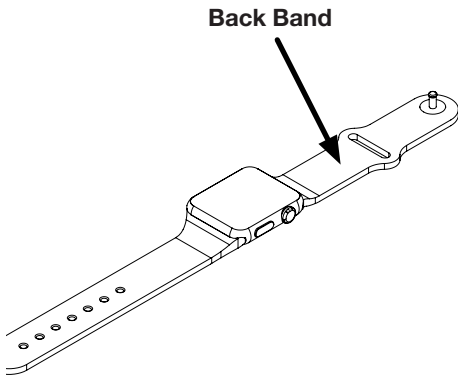
- 12c** Select the pad from the kit that will allow the wearable to be held securely in the band clamp. Remove the appropriate pad from its backing.



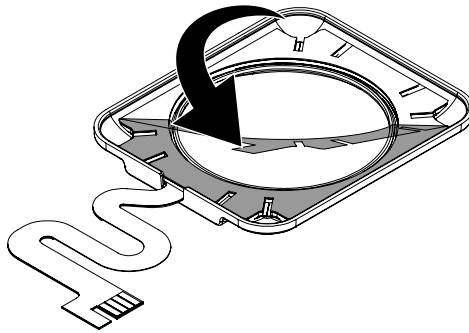
- 12d** Place the new pad onto the band clamp. Align the holes on the pad with the posts on the band clamp. Apply pressure for at least 10 seconds.



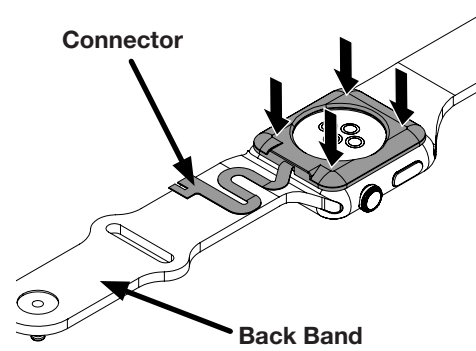
**13** With the watch in its normal orientation, identify the back band. This will be the band that will be installed into the band clamp.



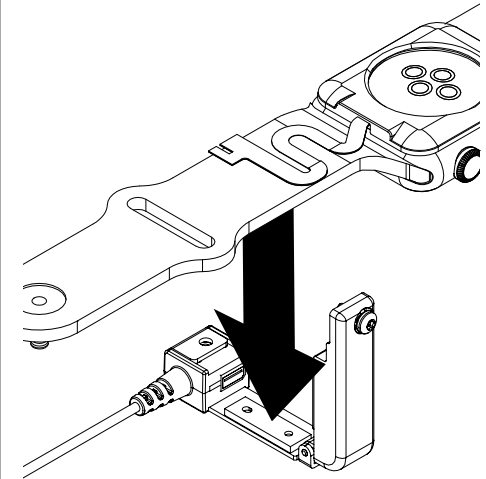
**14a Custom Tray Flex Sensor Installation:**  
Using the pull tab, peel the liner from the adhesive in the tray flex sensor.



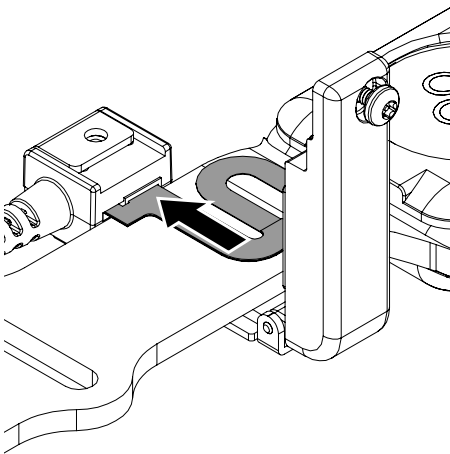
**14b** Place the tray flex sensor onto the bottom of the wearable. Make sure that the connector is facing towards the back band. Apply pressure for at least 10 seconds.



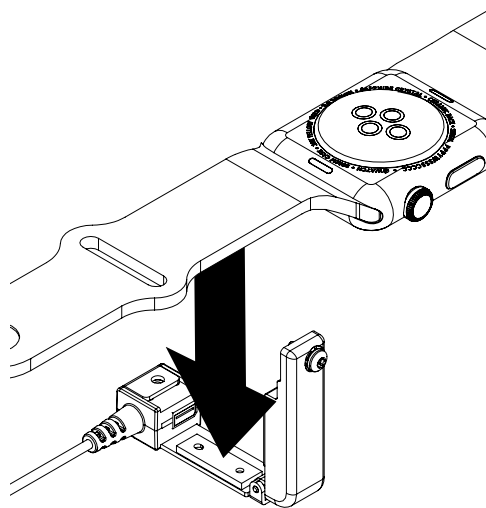
**14c** Place the back band into the open band clamp.



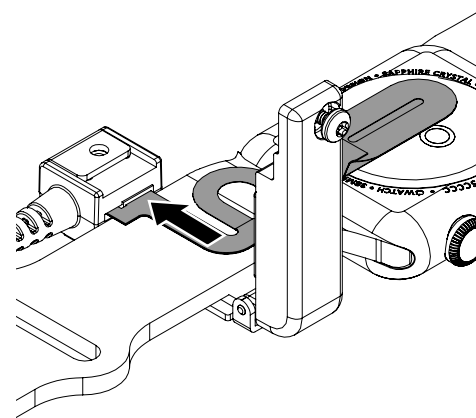
**14d** Plug the tray flex sensor connector into the port on the inside of the band clamp.



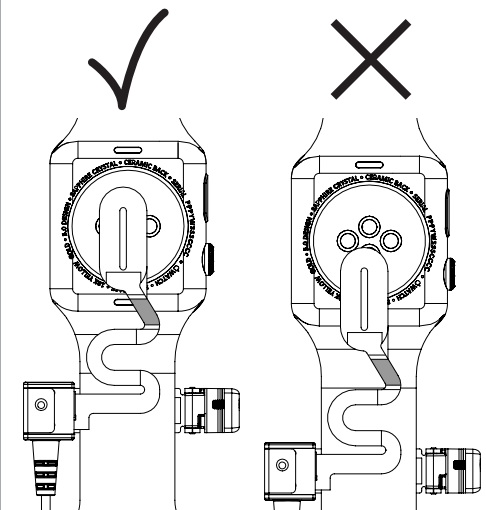
**15a Universal Flex Sensor Installation:**  
Place the back band of the wearable into the open band clamp.



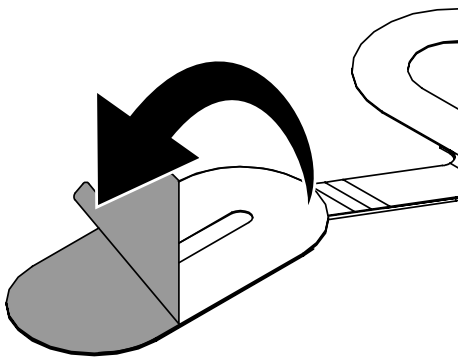
**15b** Plug the universal flex sensor into the port on the inside of the band clamp over the wearable.



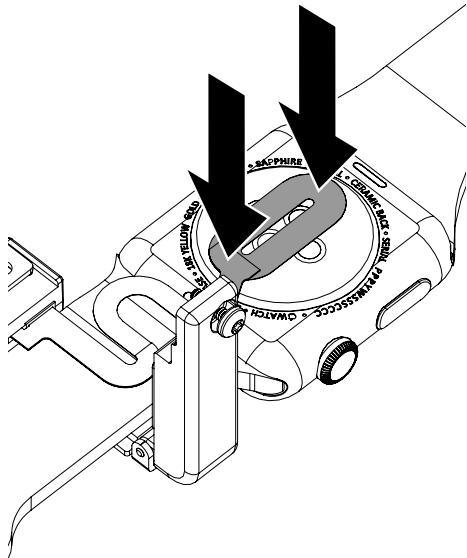
**15c** Adjust the wearable so that the area between the 2 white lines on the flex sensor (the shaded area in the below image) will sit over the "hinge" area (the area where the band connects to the watch body) of the wearable.



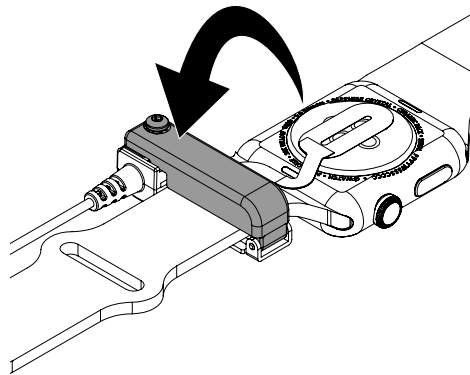
**15d** Peel the liner from the adhesive portion of the flex sensor.



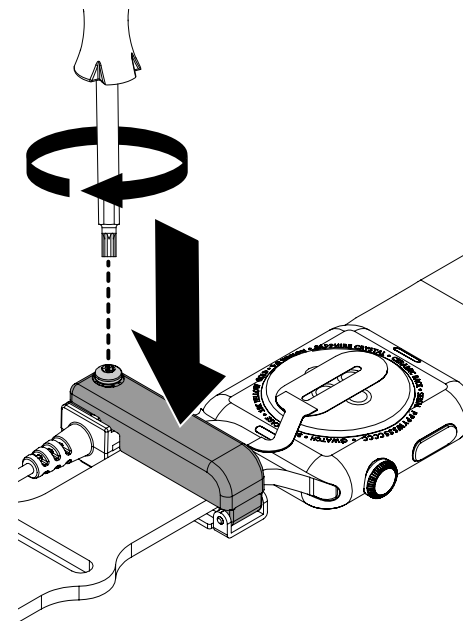
**15e** Press the flex adhesive against the bottom of the wearable for at least 10 seconds. Ensure that all of the oval is adhered to the wearable and that no gap is visible.



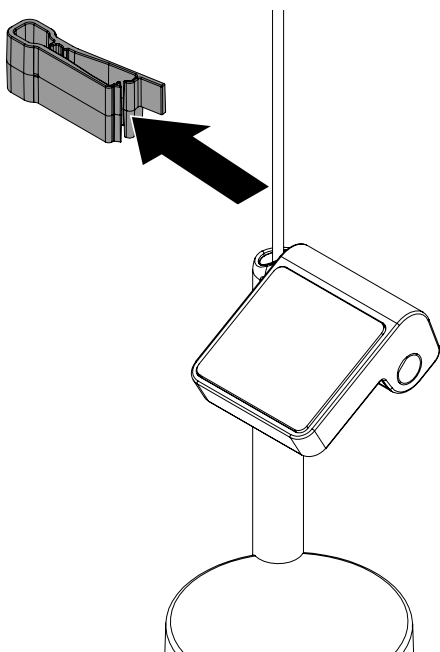
**16** Close the band clamp over the watch band and flex sensor.



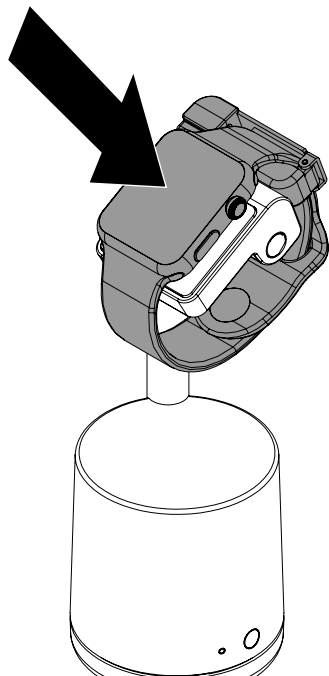
**17** Press down on the band clamp and use a TT8 bit to tighten the screw in the band clamp. Do NOT overtighten.



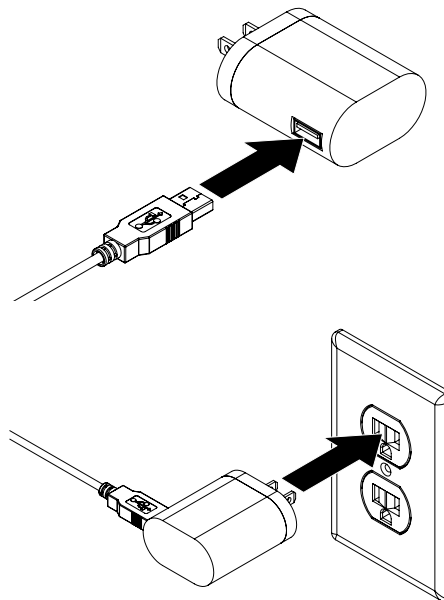
**18** Remove the cable stop clip from the cable.



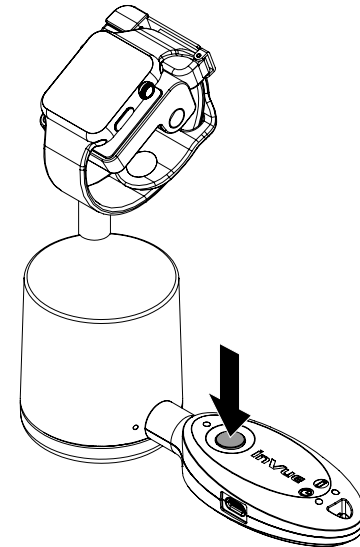
**19** Place the wearable onto the cradle.



**20** Plug the stand's power cable into a PS515 power supply and plug the power supply into a power outlet.

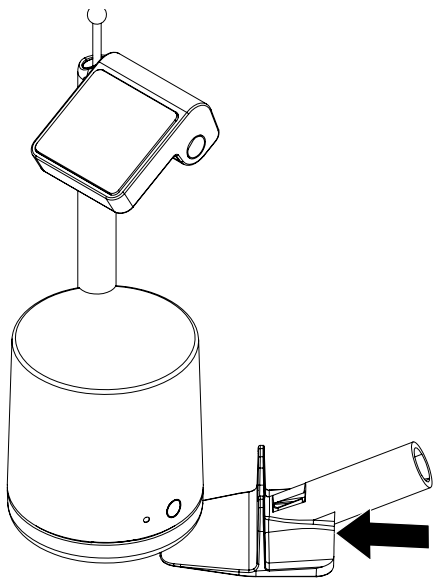


**21** Place a charged and coded OneKEY against the lens on the side of the stand. Press the button on the key to transfer the code to the stand. This method is also used to deactivate the alarm.



22

Use the scraper removal tool (DNTX93) to break the adhesive bond between the stand and the fixture surface.



SD0692 Rev4 12/06/21

**inVUE**

[www.invue.com](http://www.invue.com)

NA / LATAM // 704.752.6513 • 888.55.INVUE

EMEA // +31.23.8900150

APAC // +852.3127.6811

© 2021 InVue Security Products Inc. All rights reserved.  
InVue is a registered trademark of InVue Security Products.