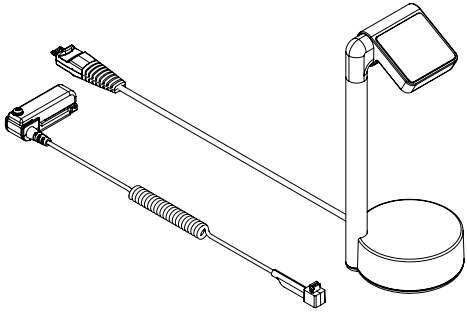
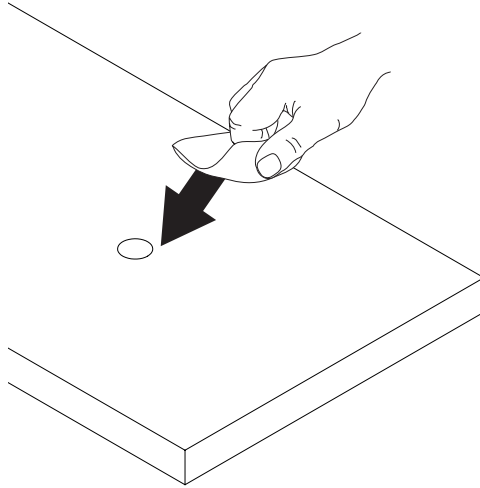


WS2

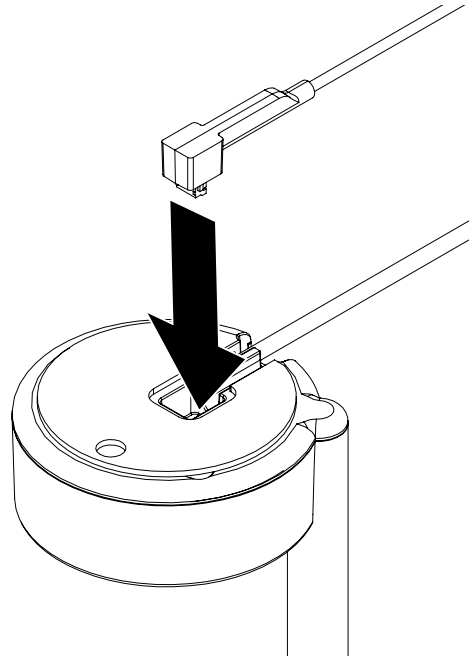
Exposed Cable Integrated Charging
Wearable Solution - Long & Short Cable
ZW1002 & ZW1004



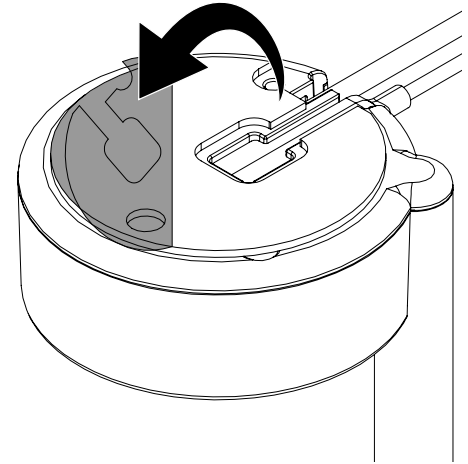
- 1** Use the provided alcohol wipe to clean the fixture where the stand will be placed. Allow it to dry completely.



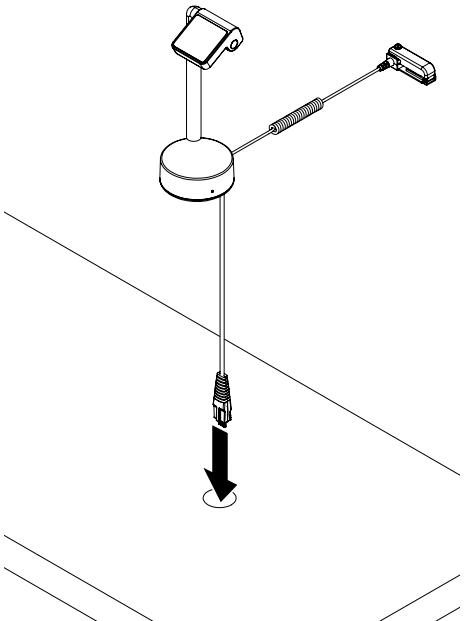
- 2** Plug the band clamp cable into the bottom of the stand.



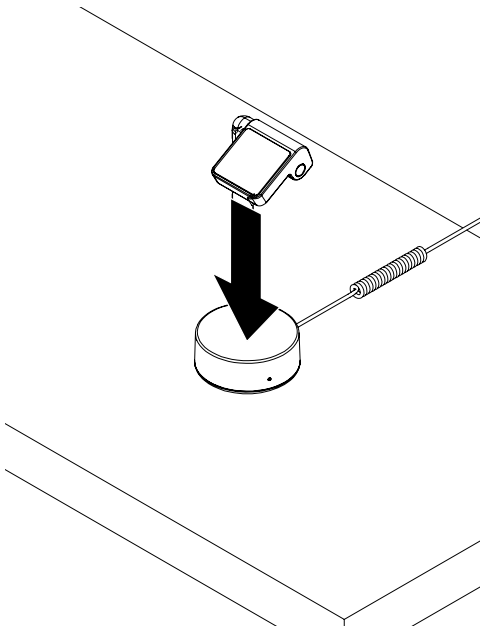
- 3** Peel the clear film from the adhesive on the bottom of the stand.



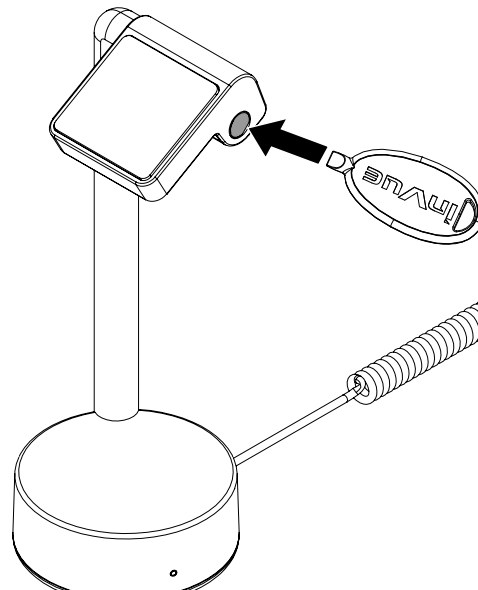
- 4** **Optional:**
Route the power cable through a hole or slot in the fixture.



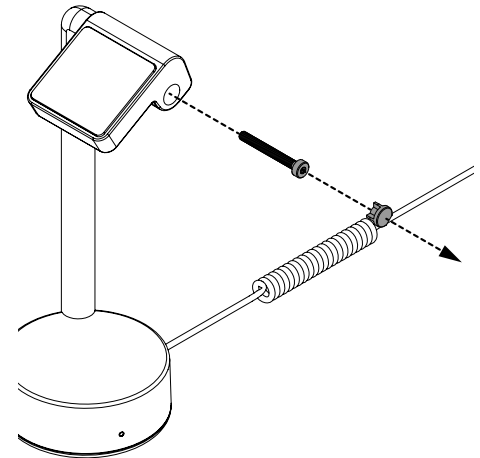
- 5** Place the stand in the desired location and apply pressure for at least 10 seconds.



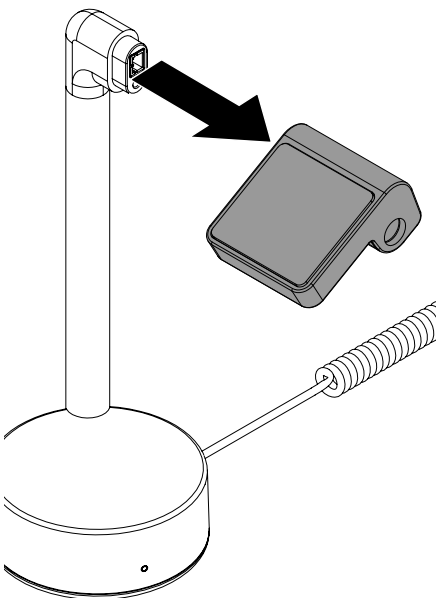
- 6a** **Custom Charger Installation:**
If installing a custom charger cradle, use a key fob tool to remove the plug from the side of the cradle.



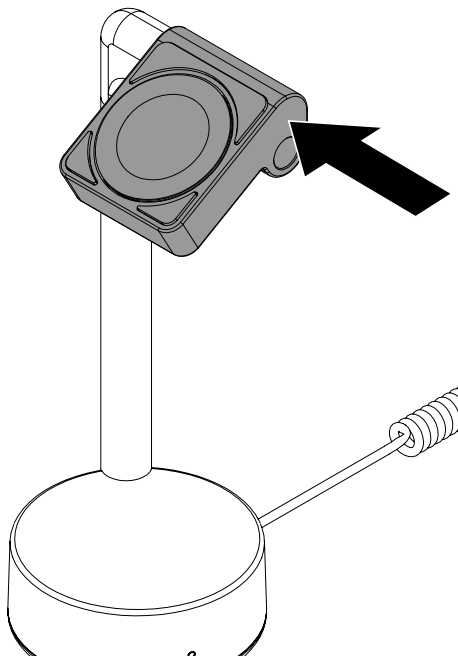
- 6b** Remove the plug and screw from the side of the cradle.



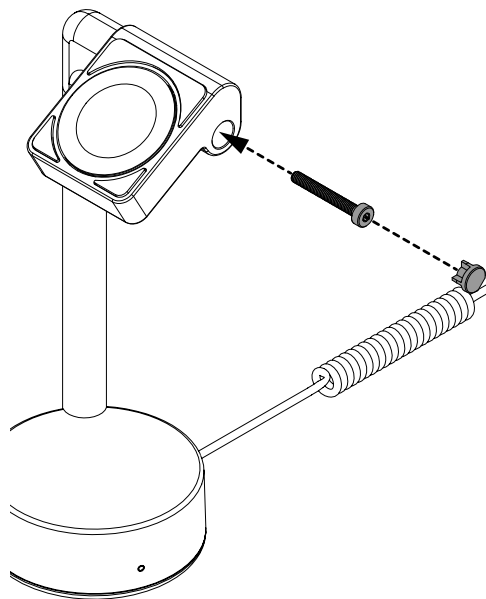
6c Remove the original cradle from the stand.



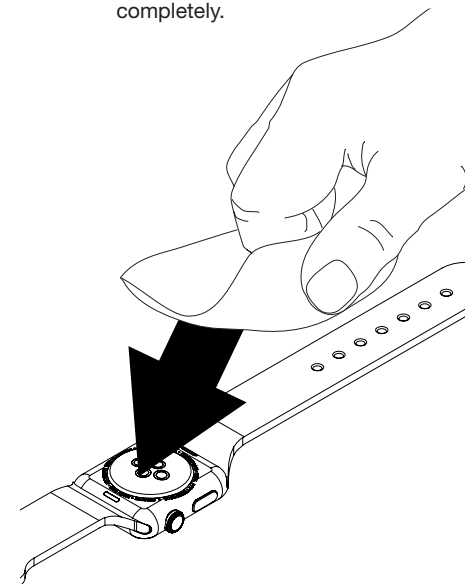
6d Place the custom charger cradle onto the stand.



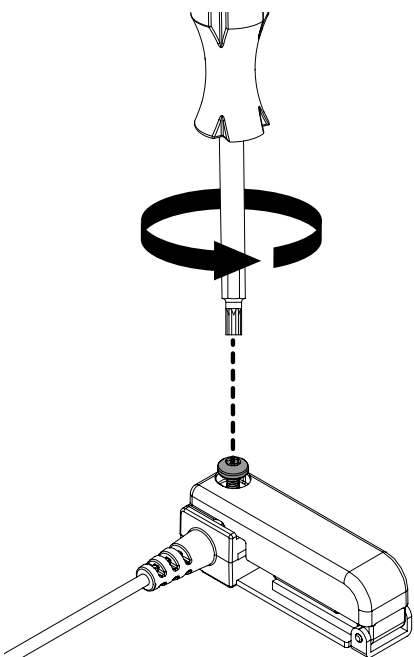
6e Secure the custom charger cradle with the screw. Insert the plug into the hole in the side on the cradle.



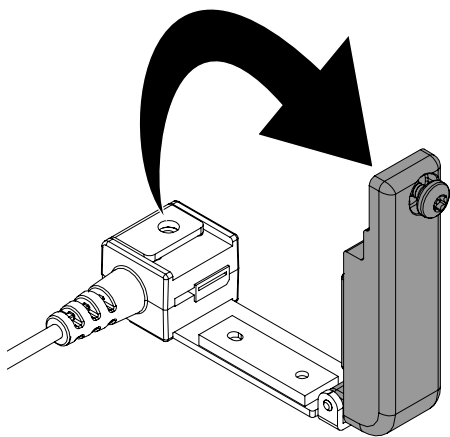
7 Use the provided alcohol wipe to clean the underside of the wearable that will be displayed. Allow it to dry completely.



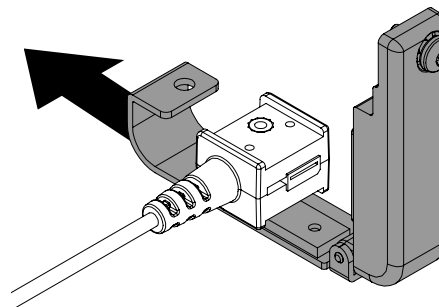
8 Use a TT8 bit to loosen the screw in the band clamp.



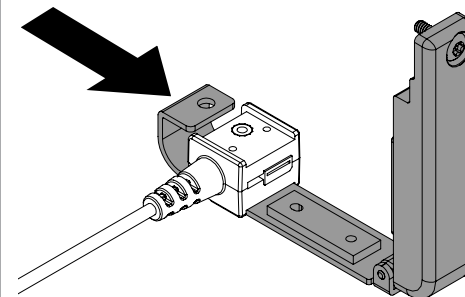
9 Open the band clamp.



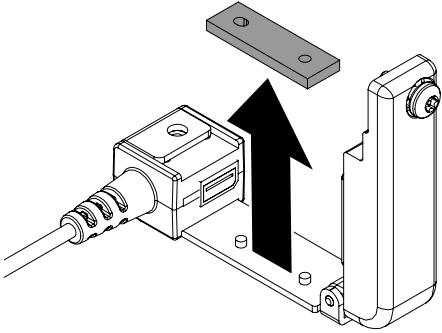
10a **Large Band Clamp Installation:** If the wearable being displayed has a band that is too large to fit in the standard band clamp, slide the band clamp off of the sensor.



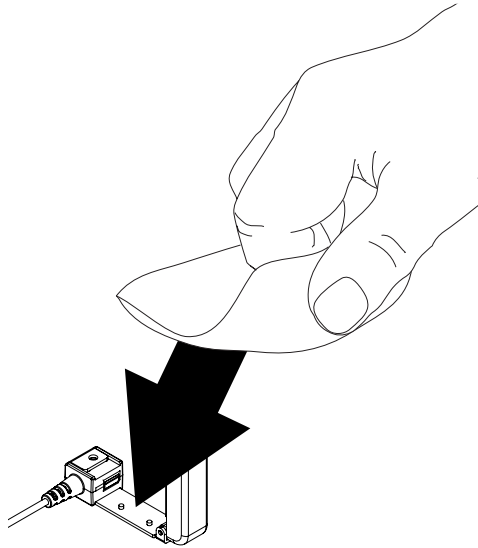
10b Slide the large band clamp onto the sensor. Proceed with the installation as normal.



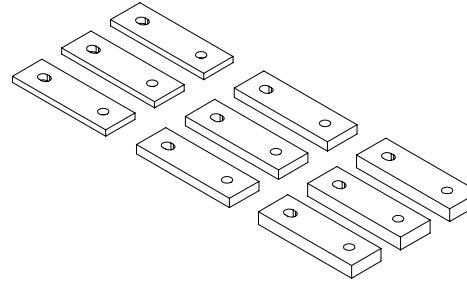
11a Alternate Pad Installation:
If the wearable being displayed has a band that is too thick or too thin to be held securely in the band clamp, remove the preinstalled pad from the band clamp.



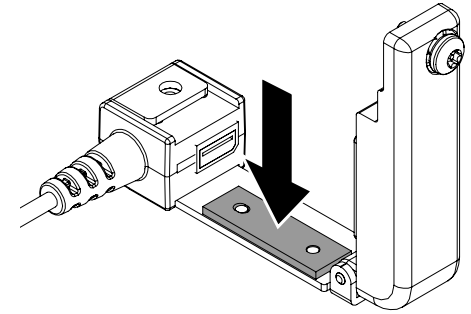
11b Use an alcohol wipe to clean the area where the pad was. Ensure that all of the adhesive residue is removed. Allow it to dry completely.



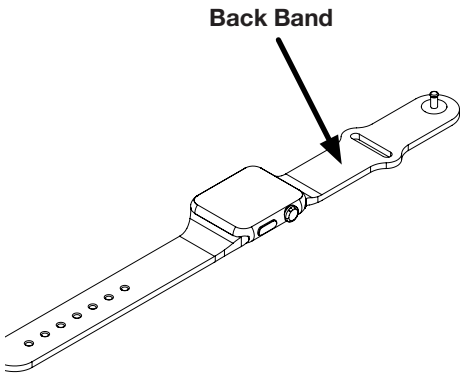
11c Select the pad from the kit that will allow the wearable to be held securely in the band clamp. Remove the appropriate pad from its backing.



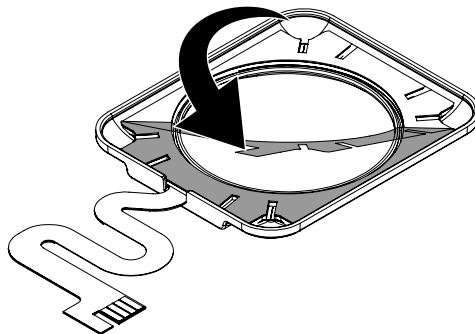
11d Place the new pad onto the band clamp. Align the holes on the pad with the posts on the band clamp. Apply pressure for at least 10 seconds.



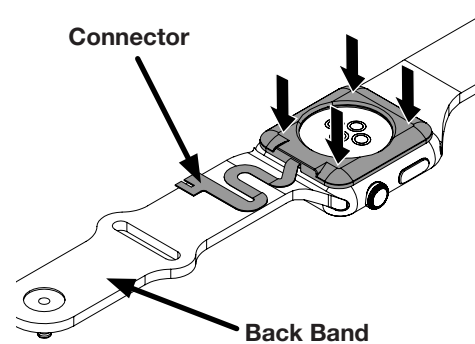
12 With the watch in its normal orientation, identify the back band. This will be the band that will be installed into the band clamp.



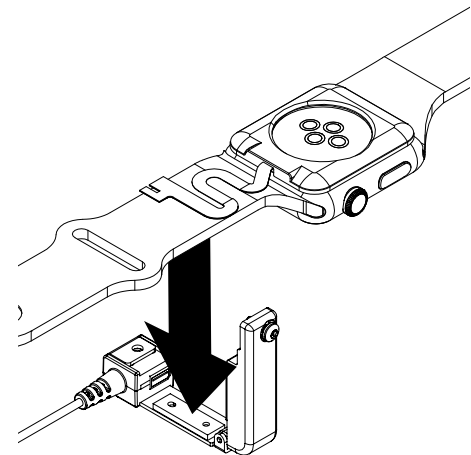
13a Custom Tray Flex Sensor Installation:
Using the pull tab, peel the liner from the adhesive in the tray flex sensor.



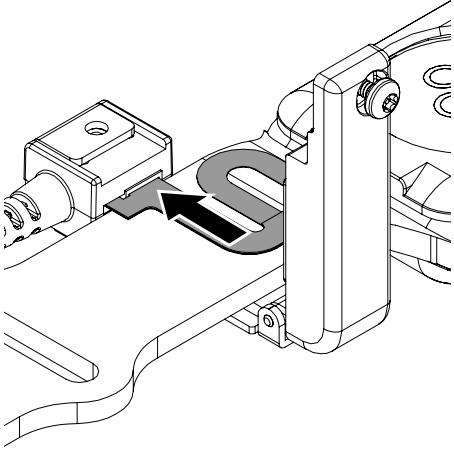
13b Place the tray flex sensor onto the bottom of the wearable. Make sure that the connector is facing towards the back band. Apply pressure for at least 10 seconds.



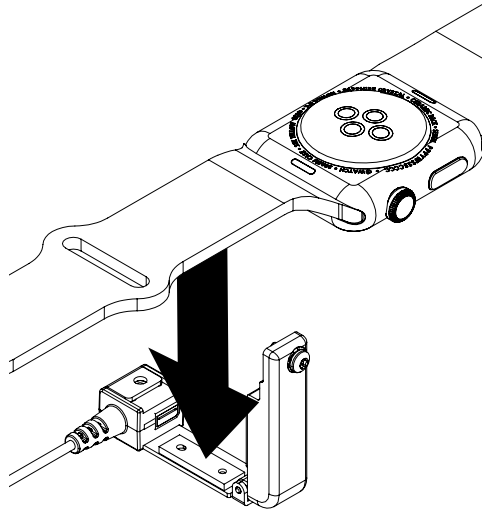
13c Place the back band into the open band clamp.



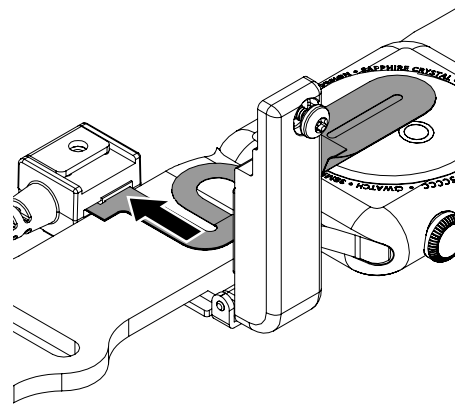
13d Plug the tray flex sensor connector into the port on the inside of the band clamp.



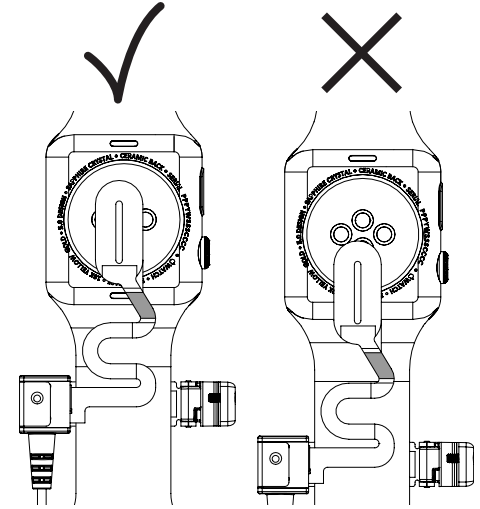
14a Universal Flex Sensor Installation:
Place the back band of the wearable into the open band clamp.



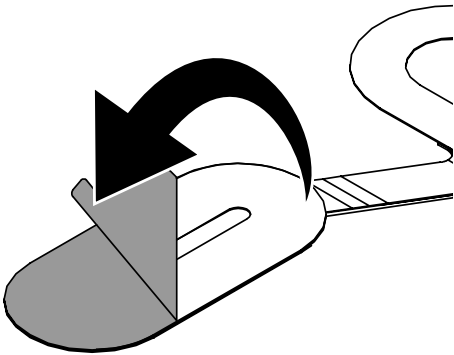
14b Plug the universal flex sensor into the port on the inside of the band clamp over the wearable.



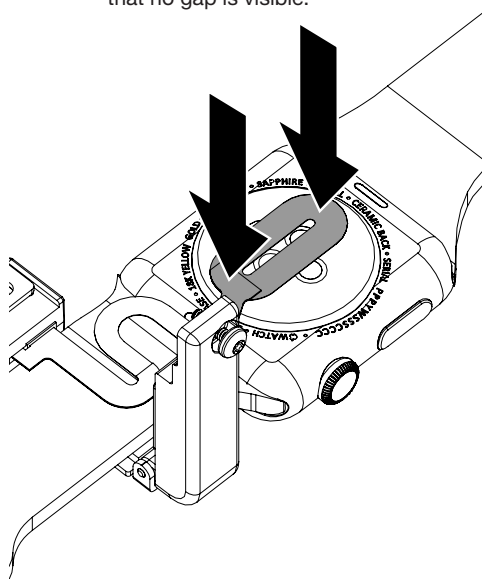
14c Adjust the wearable so that the area between the 2 white lines on the flex sensor (the shaded area in the below image) will sit over the “hinge” area (the area where the band connects to the watch body) of the wearable.



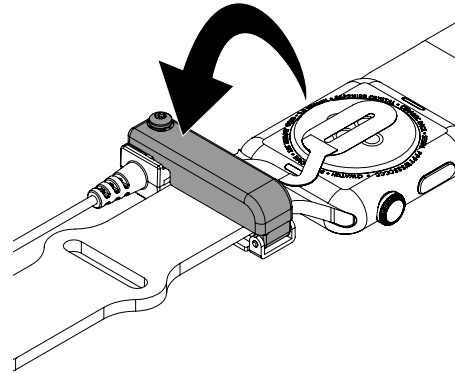
14d Peel the liner from the adhesive portion of the flex sensor.



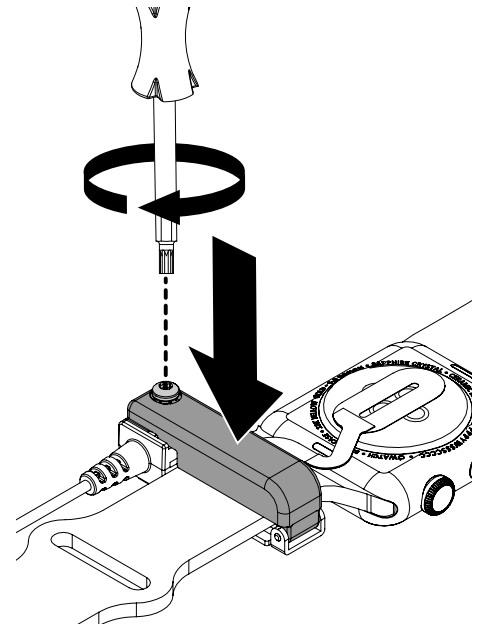
14e Press the flex adhesive against the bottom of the wearable for at least 10 seconds. Ensure that all of the oval is adhered to the wearable and that no gap is visible.



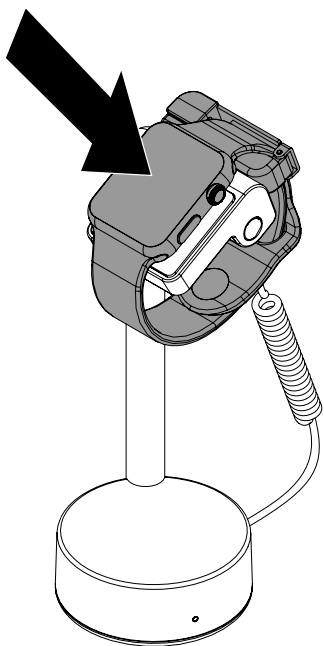
15 Close the band clamp over the watch band and flex sensor.



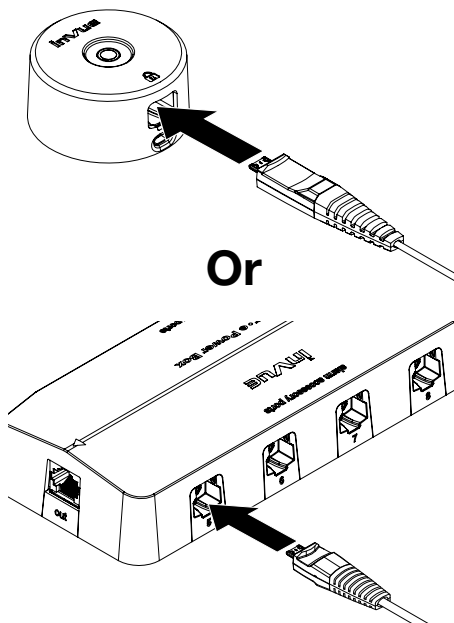
16 Press down on the band clamp and use a TT8 bit to tighten the screw in the band clamp. Do NOT overtighten.



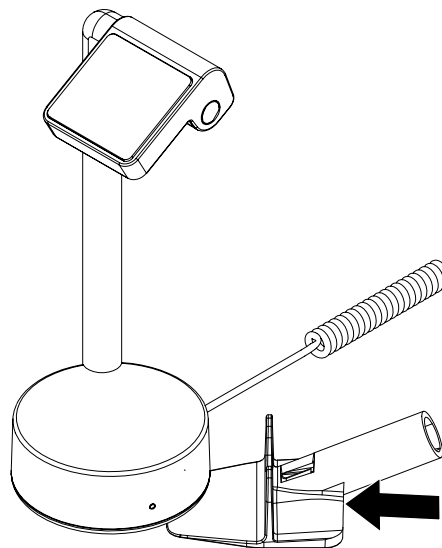
- 17 Place the wearable onto the cradle.



- 18 Plug the stand's power cable into a Zips alarm unit, S2865 power/alarm box, OnePOD aux port.



- 19 Use the scraper removal tool (DNTX93) to break the adhesive bond between the stand and the fixture surface.



SD0694 Rev2 12/02/19

invue

www.invue.com

NA / LATAM // 704.752.6513 • 888.55.INVUE

EMEA // +31.23.8900150

APAC // +852.3127.6811

© 2019 InVue Security Products Inc. All rights reserved.
InVue is a registered trademark of InVue Security Products.