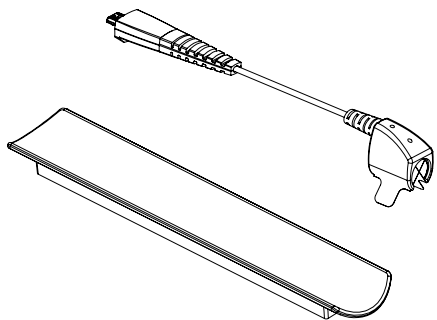
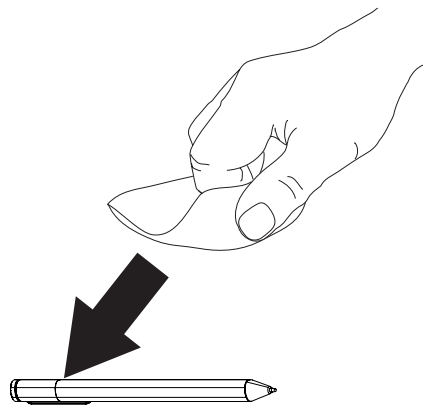


# INVUE®

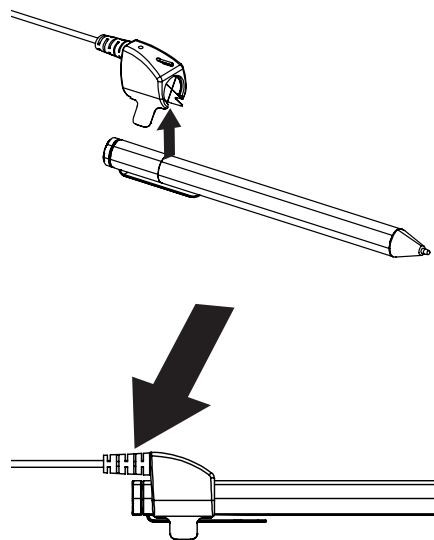
## Custom Alarming Stylus Tether & Tray ZA2720-G/W, ZA2503-G



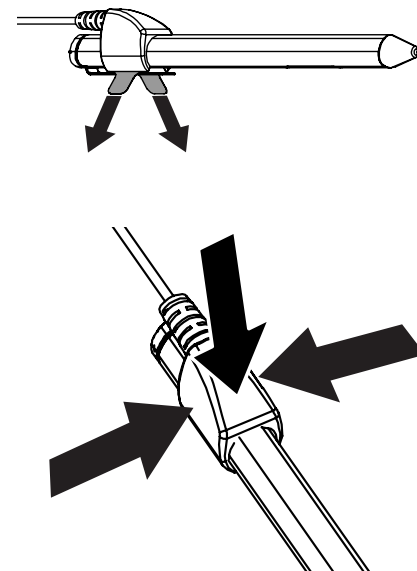
- 1** Clean the stylus with the provided alcohol wipe. Let it dry completely.



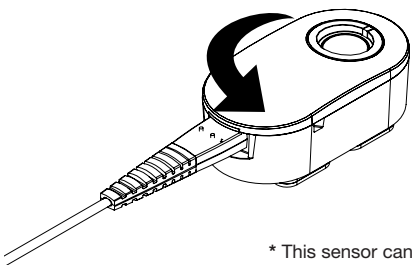
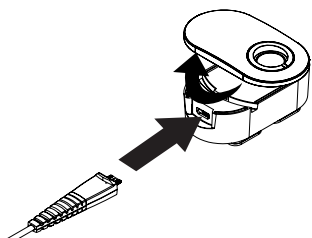
- 2** Insert the stylus into the sensor. Align the sensor with the end of the stylus as shown below.



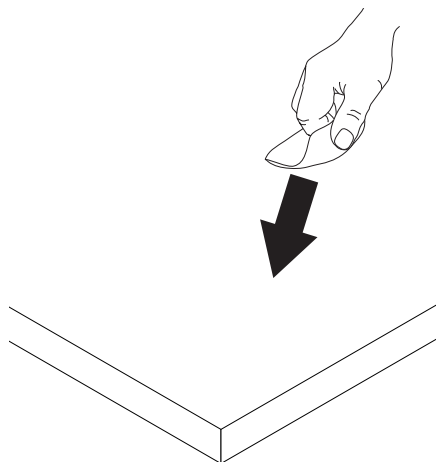
- 3** Pull the tabs on the adhesives and pinch the sensor against the stylus for at least 10 seconds.



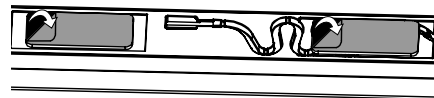
- 4** Plug the micro USB connector into a Zips! 2.0 alarm unit. The alarm unit will chirp.



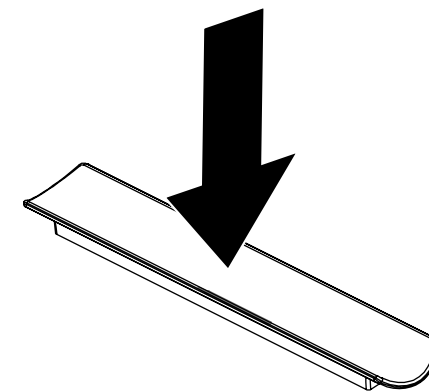
- 5** Clean the surface where the tray will be mounted with the provided alcohol wipe. Let it dry completely.



- 6** Remove the clear film from the adhesives.



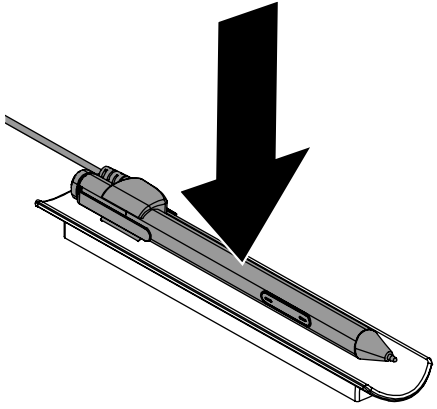
- 7** Firmly press the tray against the surface for at least 10 seconds.



\* This sensor can also be used with the S2800, S1060 and Zips! Power systems.

8

Place the stylus and sensor onto the tray.



SD0496 Rev1 06/27/17

**inVUE**

[www.invue.com](http://www.invue.com)

NA / LATAM // 704.752.6513 • 888.55.INVUE

EMEA // +31.23.8900150

APAC // +852.3127.6811

© 2017 InVue Security Products Inc. All rights reserved.  
InVue is a registered trademark of InVue Security Products.