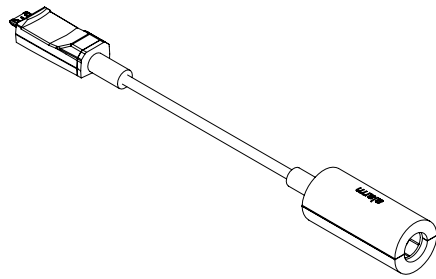


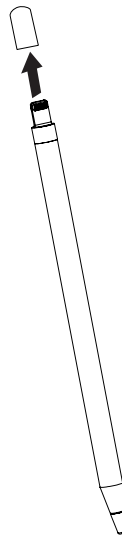


**Custom Powered Apple  
Pencil Sensor**  
ZA2976-W

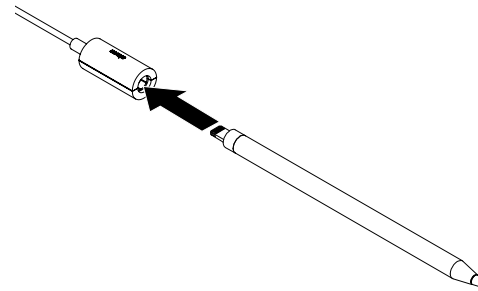


**Note:** Make sure that the Pencil has been paired before beginning the installation.

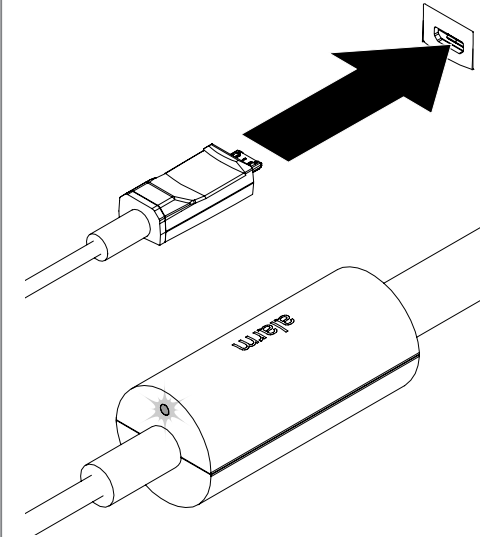
- 1** Remove cap from the Apple Pencil.



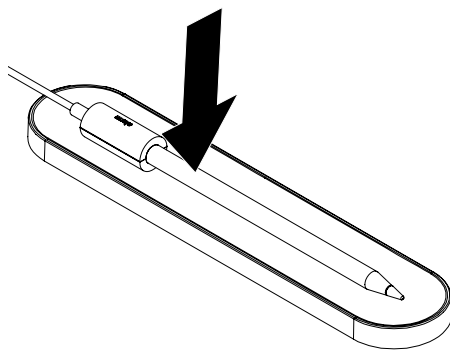
- 2** Plug the Pencil into the sensor.



- 3** Plug the micro USB connector into a S2865 Power/Alarm Box, Zips Power Multiport, Powered Zips 3.0 Alarm Unit or OnePOD aux port. The alarm unit will chirp and the LED on the back of the sensor will turn on.



- 4 Optional:**  
Place the Pencil on the stand (ZA2502-W). Make sure that "alarm" is facing up on the sensor.



SD0681 Rev1 03/28/17



[www.invue.com](http://www.invue.com)

NA / LATAM // 704.752.6513 • 888.55.INVUE

EMEA // +31.23.8900150

APAC // +852.3127.6811

© 2019 InVue Security Products Inc. All rights reserved.  
InVue is a registered trademark of InVue Security Products.