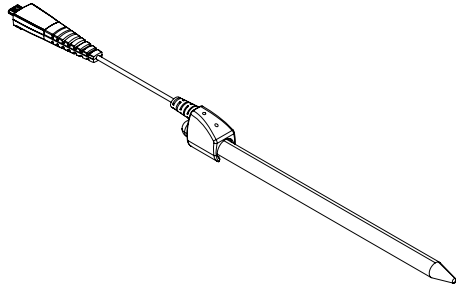
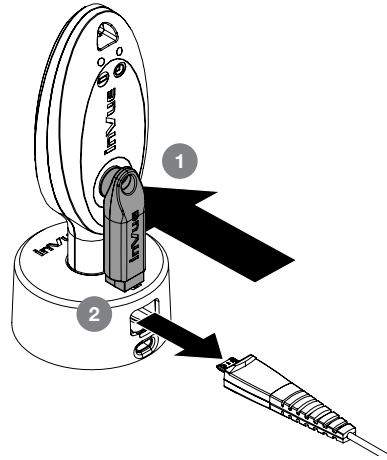


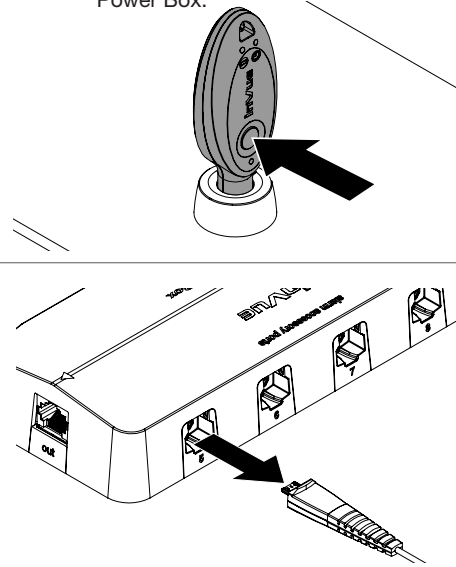
Zips ZA2720-W Merchandising Guide



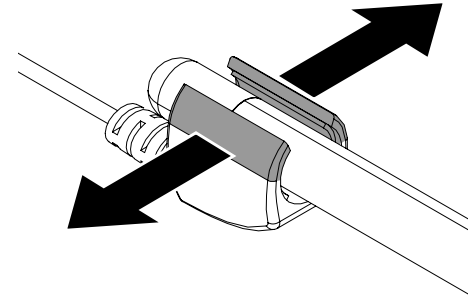
- 1a** Use a charged and coded OneKEY to deactivate the inVue product that the sensor is plugged into. For Zips Alarm Units, place the OneKEY onto the IR lens and press the button. Then place the magnet key onto the lock icon on alarm unit above the sensor. Push in slightly and unplug the sensor.



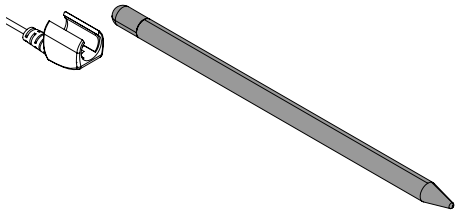
- 1b** If using the S2865 system, place the charged and coded OneKEY onto the Remote IR Dot connected to the system and press the button. Remove the sensor from the S2865 Alarm/Power Box.



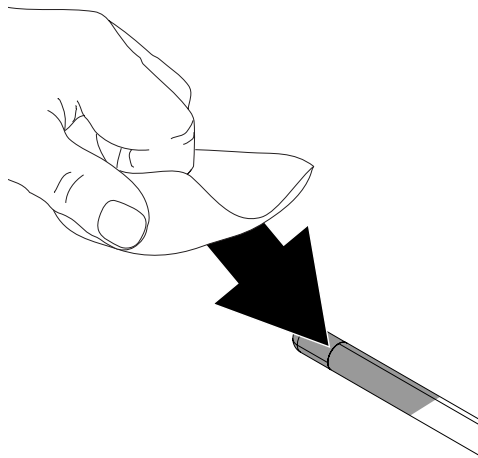
- 2** Gently pry open the flexible sides of the ZA2720 sensor to break the adhesive bond between the sensor and the Apple Pencil.



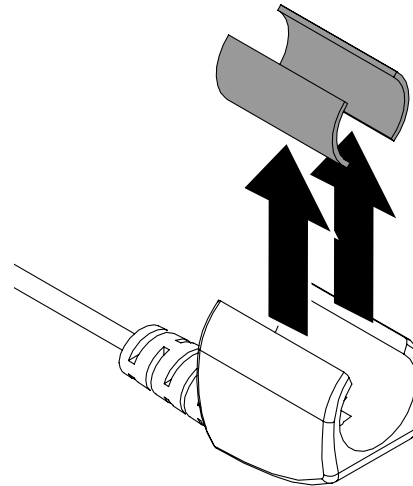
- 3** Remove the Pencil from the sensor.



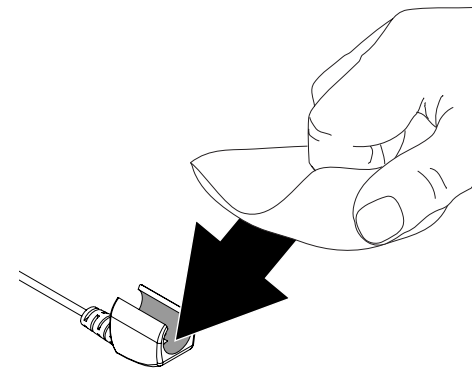
- 4** If reinstalling the Pencil, use an alcohol wipe to remove any adhesive residue. Allow it to dry completely.



- 5** Remove the old adhesives from the sensor.

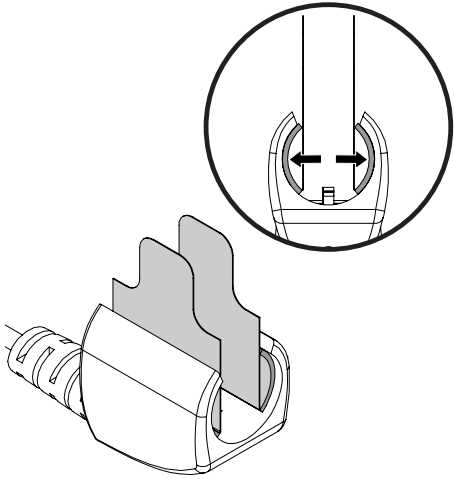


- 6** Use an alcohol wipe to remove any adhesive residue from the inside of the sensor. Use caution to not damage the micro switch inside of the sensor. Allow it to dry completely.



7

Insert the new adhesives (ADH2149) into the sensor, curving along the interior contours. Ensure that the pull tabs are in place and are folded pointing up out of the sensor as shown.
Note: The sensor is now ready to be reinstalled. Consult the installation guide for more information.



Rev0 08/11/22

inVUE

www.invue.com

NA / LATAM // 704.752.6513 • 888.55.INVUE

EMEA // +31.23.8900150

APAC // +852.3127.6811

© 2022 InVue Security Products Inc. All rights reserved.
InVue is a registered trademark of InVue Security Products.