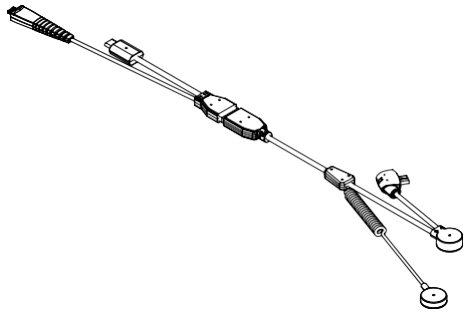
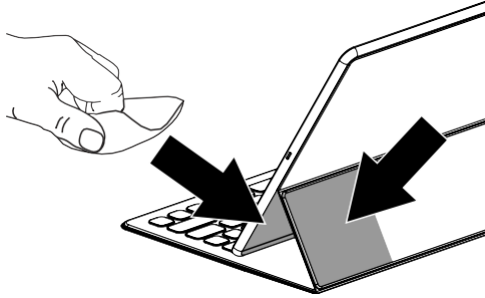


invue

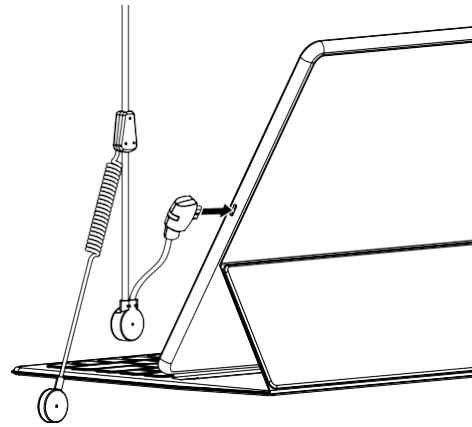
S2865
iPad Pro Injected Lightning Dual
Sensor with Quick Connect
ZA3100



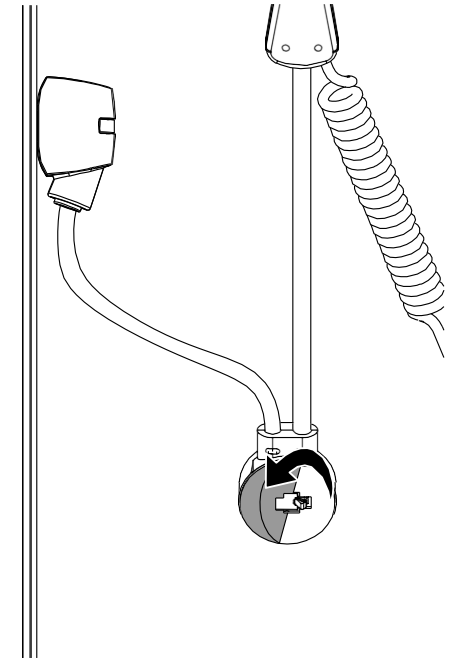
1 Use the provided alcohol wipe to clean the indicated areas. Allow it to dry completely.



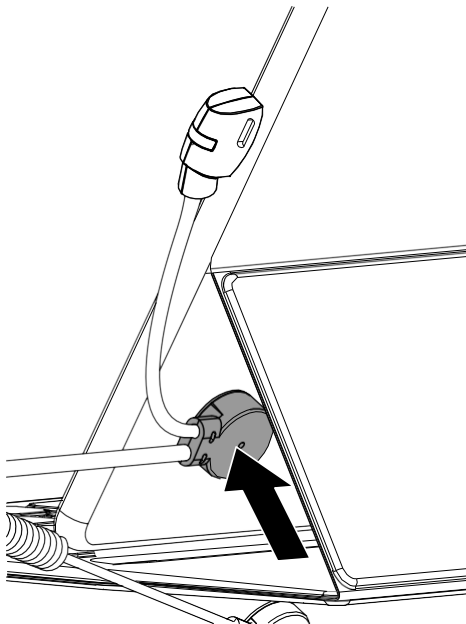
2 Plug the sensor's power connector into the tablet.



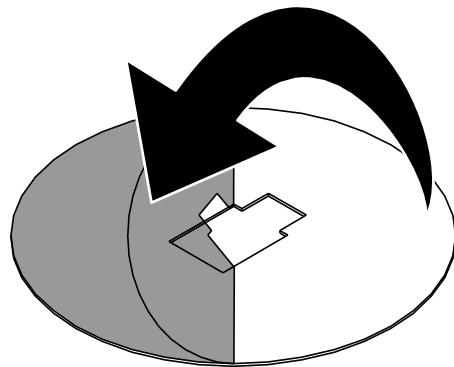
3 Peel the adhesive from the sensor closest to the power connector.



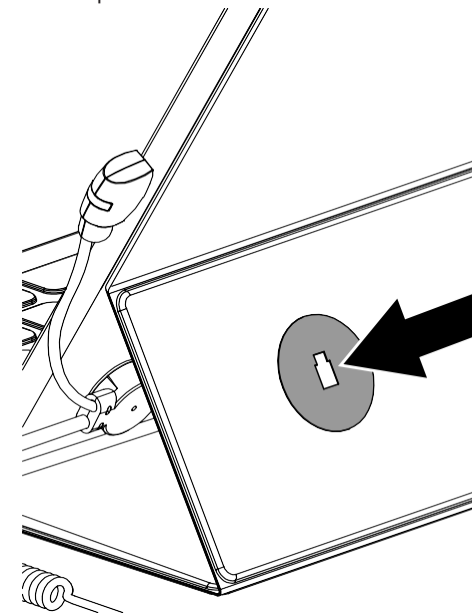
4 Place the sensor against the tablet underneath the keyboard/cover fold. Apply pressure for at least 10 seconds



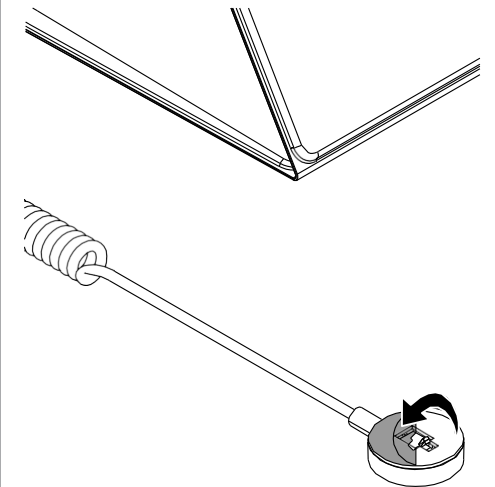
5 Peel the clear film from the LSE disc.



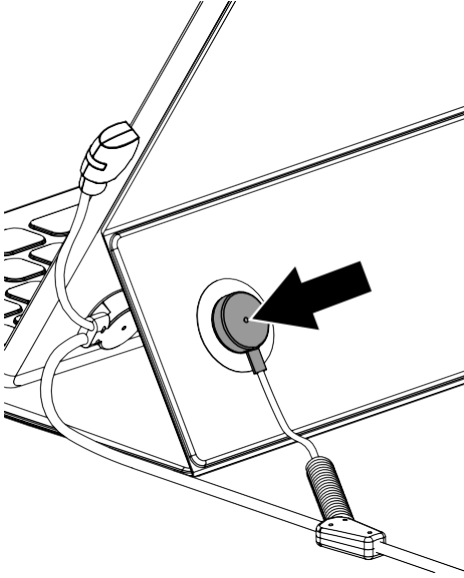
6 Place the LSE disc onto the back of the keyboard/cover as shown. Orient the hole in the LSE disc as shown. Apply pressure for at least 10 seconds.



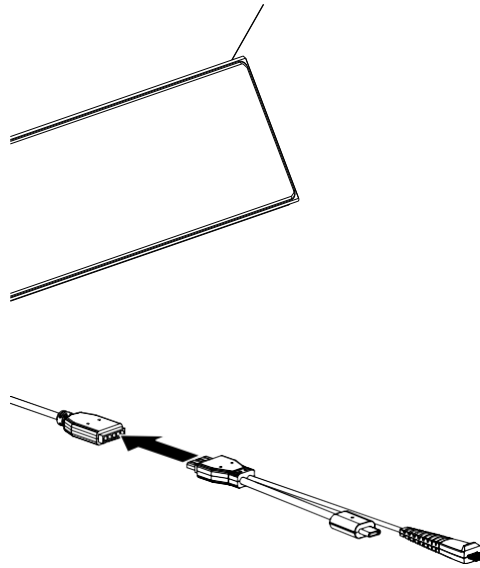
7 Peel the clear film from the other sensor.



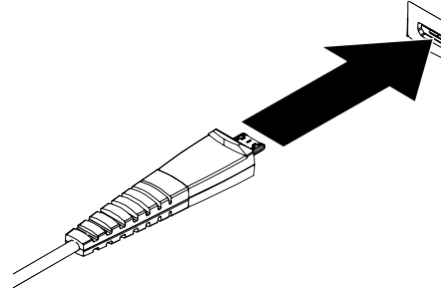
- 8 Place the sensor onto the LSE disc. Make sure the switch will sit in the small hole in the center of the LSE disc. Apply pressure for at least 10 seconds.



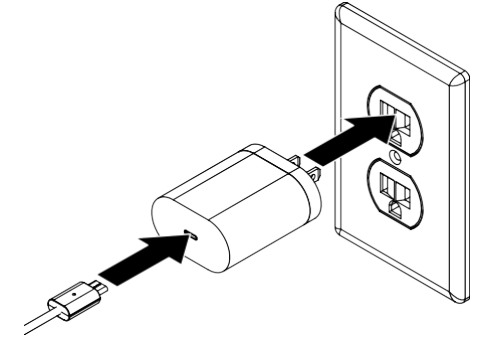
- 9 Connect the power connector half to the sensor half.



- 10 Plug the micro-USB end of the sensor into a S2865 Power/Alarm box, OnePOD/S960 aux port or Zips alarm unit.



- 11 Plug the USB Type-C end of the sensor into the OEM charger and plug the charger into a power outlet.



SD0685 Rev2 04/16/19

INVUE

Perfectly connecting people and
tablets in the workplace.™

www.invue.com

NA / LATAM // 704.752.6513 • 888.55.INVUE

EMEA // +31.23.8900150

APAC // +852.3127.6811

© 2019 InVue Security Products Inc. All rights reserved.
InVue is a registered trademark of InVue Security Products.