

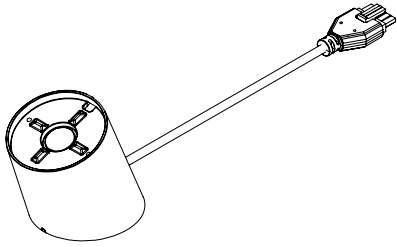
S960

Tall & Short Angled Stand

DGD100-W/B, DGD101-W/B

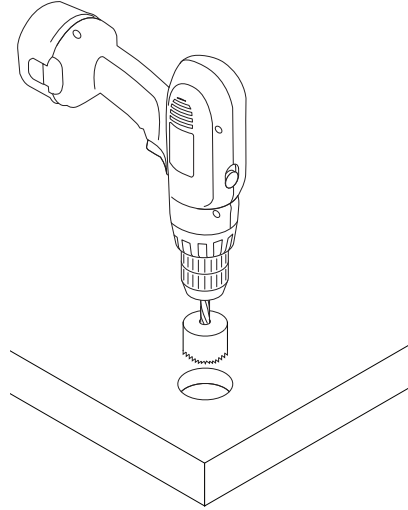
Tall & Short Angled Display Only Stand

DGD103-W/B, DGD104-W/B

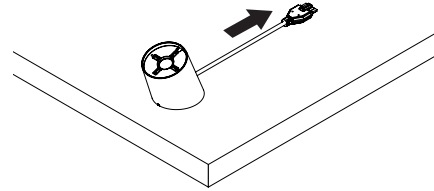
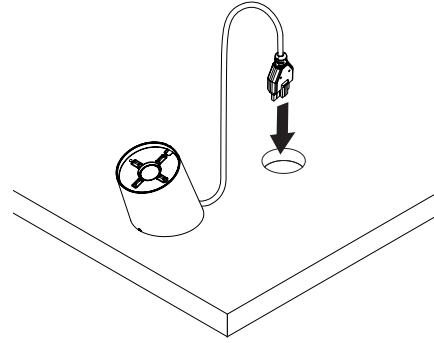


Note: If using the “Display Only” version of this stand only refer to steps 5 - 8.

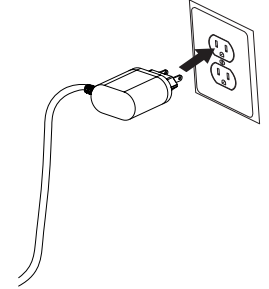
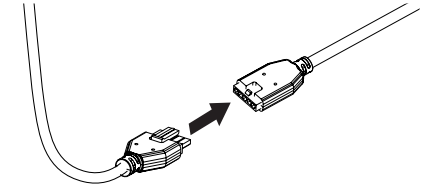
- 1** If routing power cable through fixture, drill a 19mm minimum, 22mm maximum hole in the fixture. **Do NOT mount the stand over a hole larger than 22mm.** If routing power cable above the fixture see step 2.



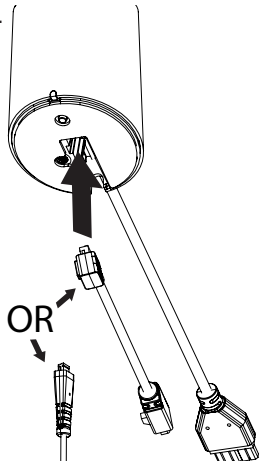
- 2** Route power cable through hole or above fixture.



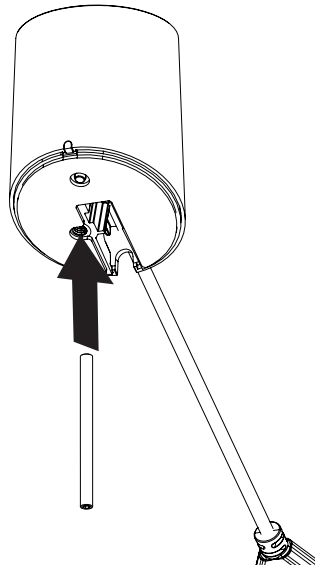
- 3** Plug the power cable into the PS530 power supply. Plug the power supply into the wall.



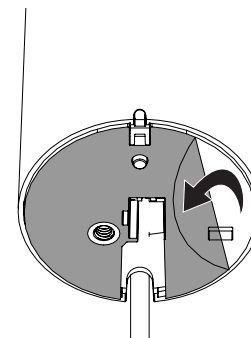
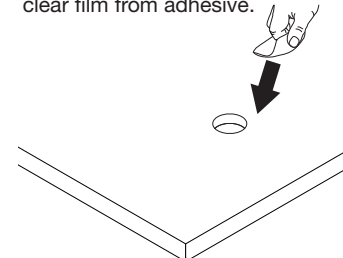
- 4 Optional:**
If using a DIB or smart hub:
If using a straight DIB cable, route the DIB cable up through the 19mm hole or above the fixture and plug the connector into the bottom of the stand.



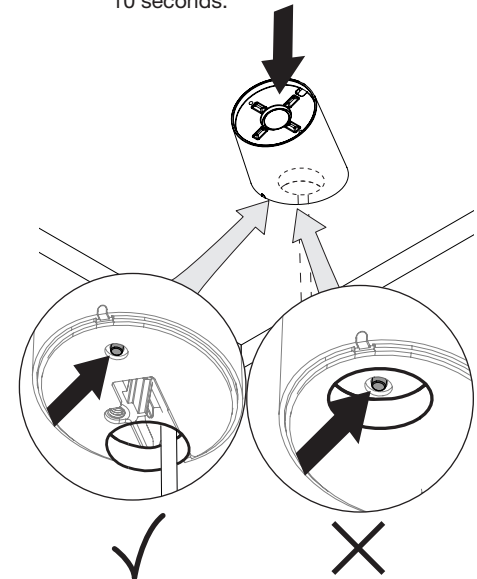
- 5 Optional:**
If using a stud mount, thread the stud into the bottom of the stand.



- 6** Wipe fixture with alcohol pad. Let fixture dry completely. Remove clear film from adhesive.



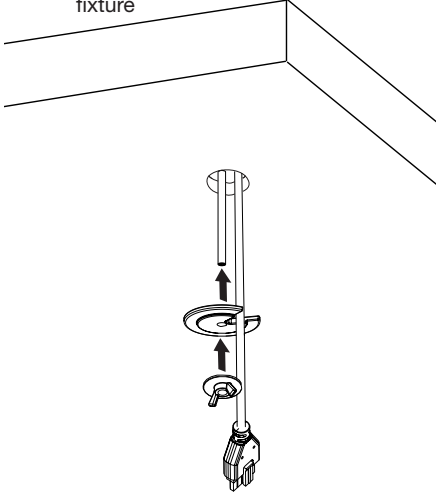
- 7** Position stand over hole in fixture. **Be sure the plunger on the bottom presses against the fixture surface.** Press stand onto surface for at least 10 seconds.



8

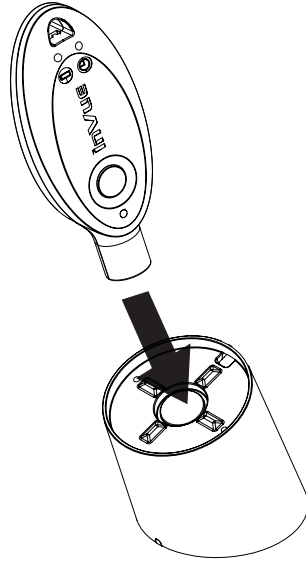
Optional:

If using a stud mount, attach the plastic washer and wing nut to the stud below the fixture and tighten by hand to secure the stand to the fixture



9

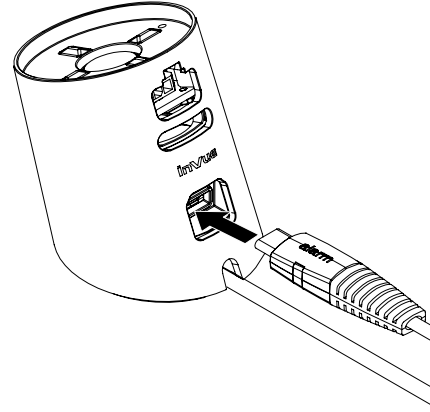
Hold IR Key against the IR Lens on top of stand and press button once to load the store's code into stand.



10

Optional:

Plug optional power/alarm auxiliary sensor into the back of the stand.



11

See sensor instructions for attaching the sensor.

12a

Optional:

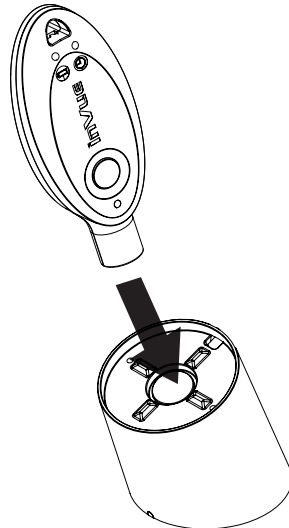
The alarm mode on the stand is set to standard volume. If this is acceptable, proceed to step 13.

Alarm Mode	Purpose	Function
Standard	General use for most store types.	95 db alarm
Burst	Increased awareness for large, noisy or high security stores.	5 second 100 db alarm followed by standard alarm

12b

To enter configuration mode:

Hold the IR key against the lens on the top of the stand and press the button 5 times within 10 seconds. The current alarm mode will play and the stand LED will illuminate.



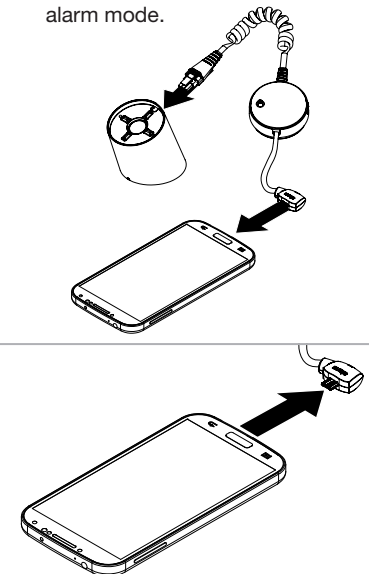
12c

To select alternate alarm mode:

The sensor loop must be closed and then opened. This can be done in 3 ways depending on the device being displayed.

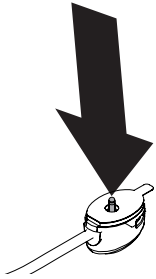
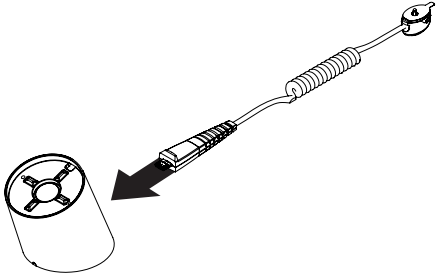
Sensors without Plungers:

Plug the sensor into the stand and plug the power connector into the device. This will change the alarm mode.



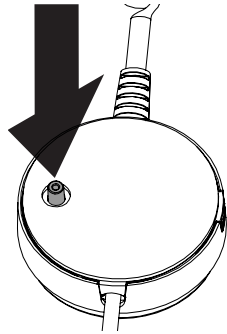
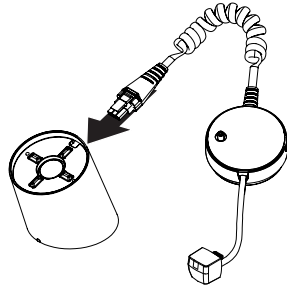
Optional Auxiliary Port Sensor:

If using a sensor in the auxiliary port (Step 10), press the plunger and release to change the alarm mode.



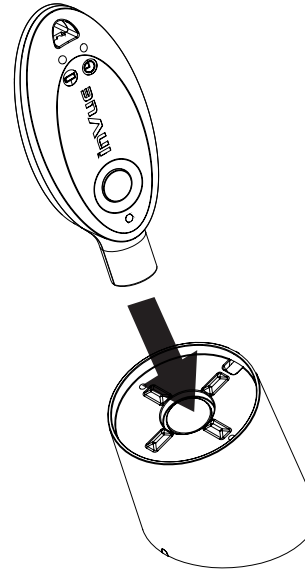
Sensors with Plungers:

Plug the sensor into the stand. Press and release the plunger on the sensor to change the alarm mode.



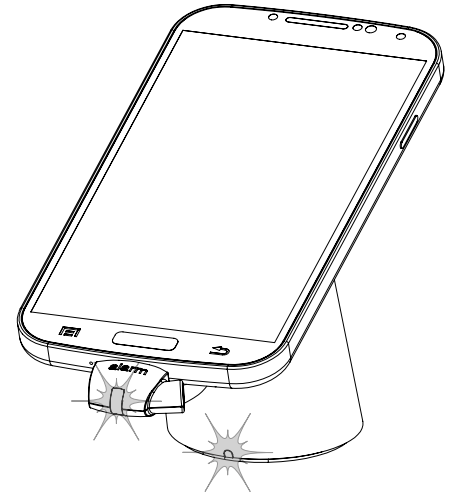
12d

Hold the IR key against the lens and press the button once to finalize your selection. A preview of the selected alarm mode will play.



13

System is armed when the LED on the stand is illuminated.



SD0405 Rev3 06/13/17

INVUE

www.invue.com

NA / LATAM // 704.752.6513 • 888.55.INVUE

EMEA // +31.23.8900150

APAC // +852.3127.6811

© 2017 InVue Security Products Inc. All rights reserved.
InVue is a registered trademark of InVue Security Products.