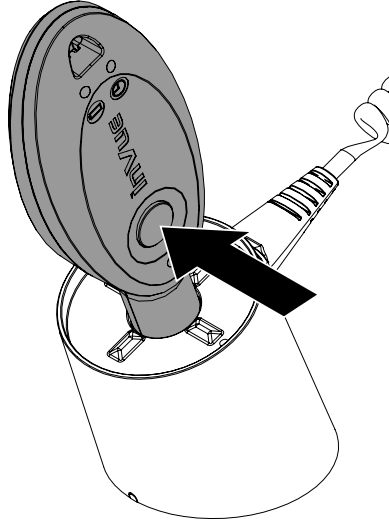
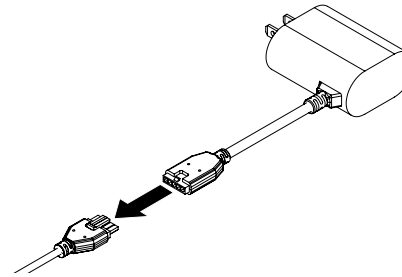
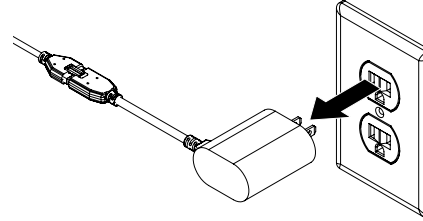




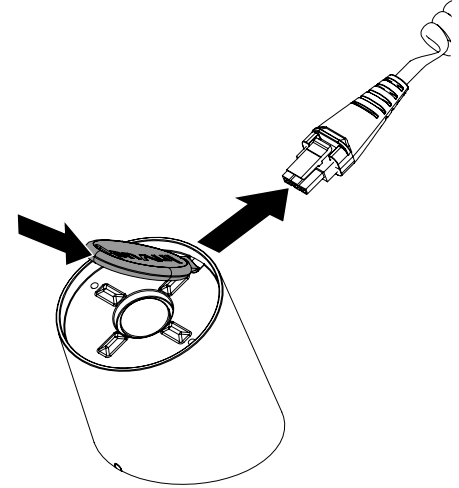
- 1** Lift the device and sensor from the stand and place a charged and coded OneKEY against the IR lens on stand. Press the button on the key to deactivate the stand.



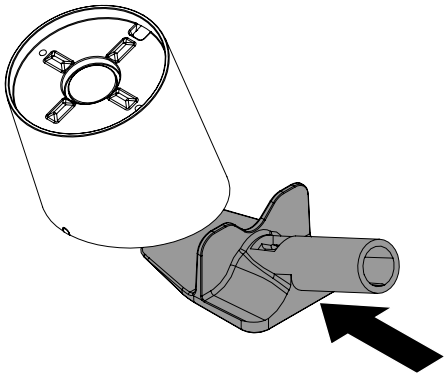
- 2** Unplug the power supply from the power source. If removing the stand, unplug the stand from the power supply.



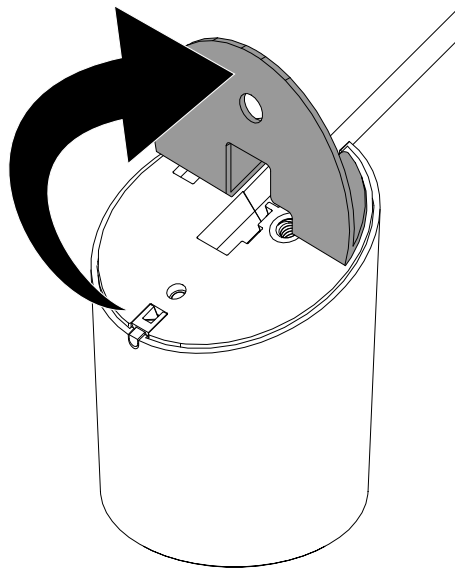
- 3** Use the a key fob tool to push down on the tab on the sensor connector to release the sensor cable from the stand. Pull the sensor free.



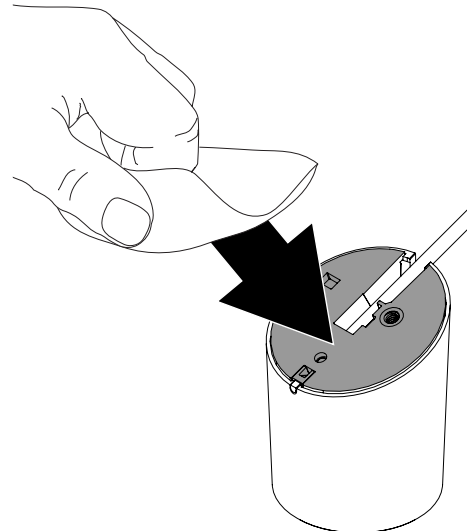
- 4a** If removing the stand from the position, use the scraper removal tool (DNTX93) to break the adhesive bond between the stand and the fixture surface.



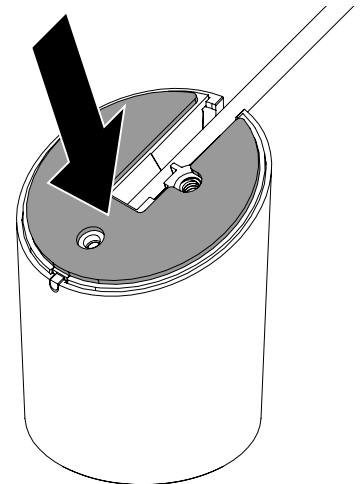
- 4b** If the S960 stand will be reinstalled, peel the old adhesive from the stand.



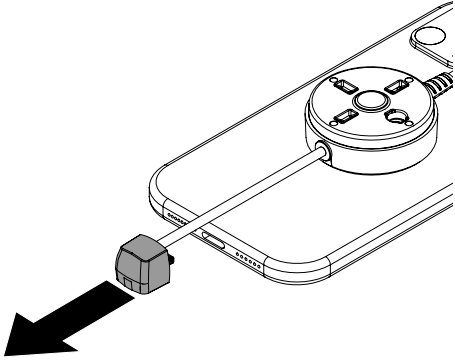
- 4c** Use an alcohol wipe to clean any adhesive residue from the bottom of the stand. Allow it to dry completely.



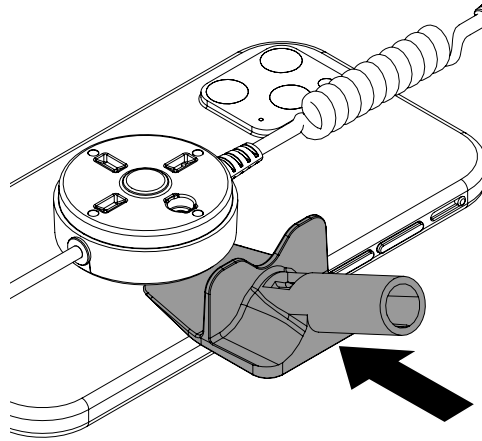
- 4d** Remove one of the replacement adhesives (ADH2120) from it's backing and align it with the bottom of the stand. Smooth it into place for at least 10 seconds.
Note: The stand is now ready to be reinstalled. Consult the installation guide for more information.



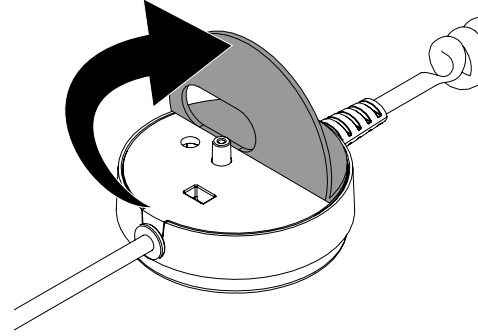
- 5 Unplug the power connector from the device.



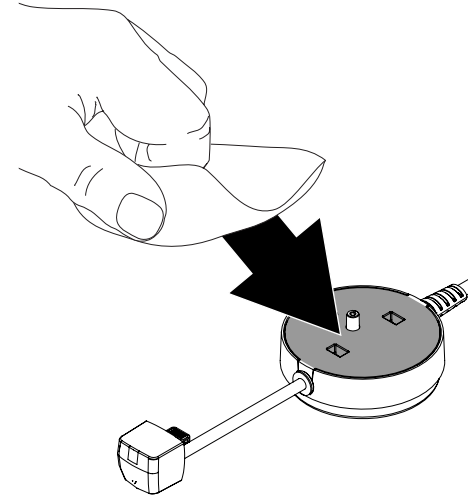
- 6 Insert the scraper removal tool (DNTX93) between the sensor and device. Carefully work the scraper tool back and forth to break the adhesive bond between the sensor and the device.



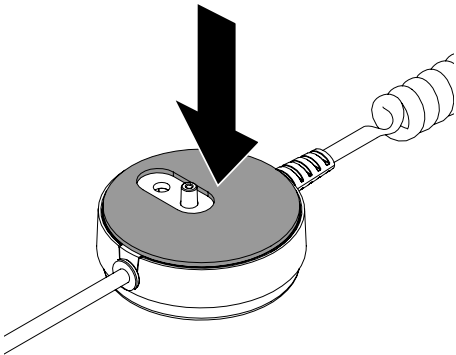
- 7 If the sensor will be reused, peel the old adhesive from the sensor.



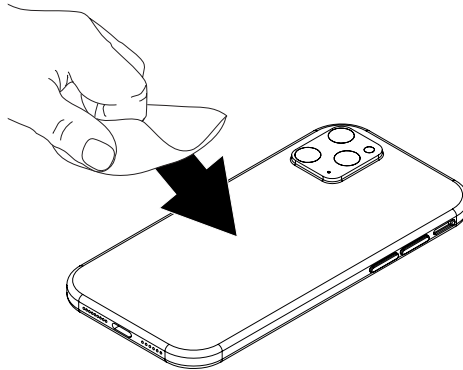
- 8 Use an alcohol wipe to clean any adhesive residue from the sensor. Allow it to dry completely.



- 9 Remove one of the replacement adhesives (ADH2198) from its backing and align it with the flat surface of the sensor. Smooth it into place for at least 10 seconds.
Note: The sensor is now ready to be reinstalled. Consult the installation guide for more information.



- 10 If the device will be installed on a different position, use an alcohol wipe to clean any adhesive residue from the device. Allow it to dry completely.



Rev0 08/04/22

inVue

www.invue.com

NA / LATAM // 704.752.6513 • 888.55.INVUE

EMEA // +31.23.8900150

APAC // +852.3127.6811