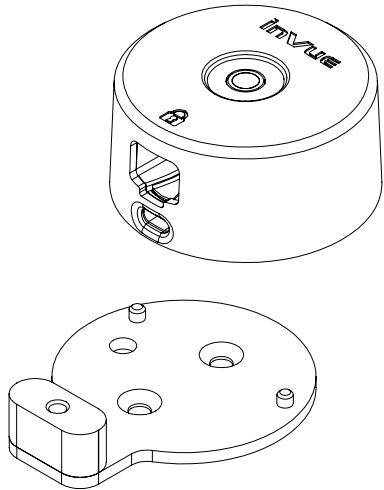


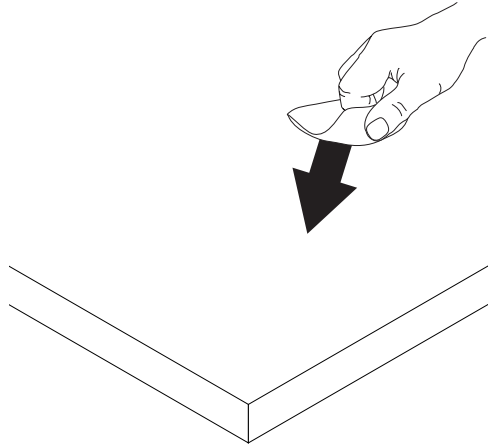


Zips

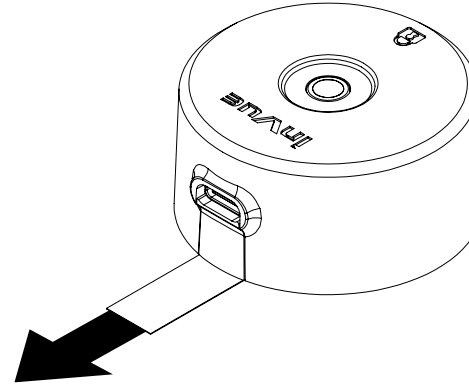
Single Port Alarm Unit, High Security Plate and Power Cable
ZB1000, ZB3002 & ZB4001



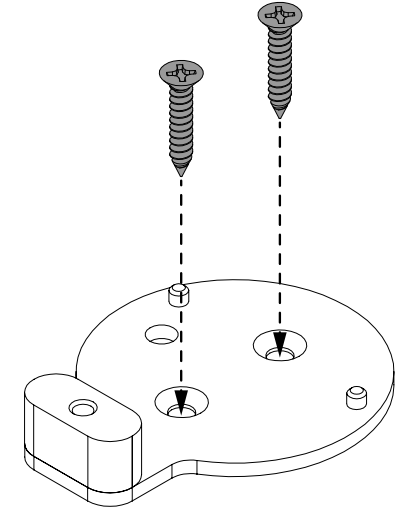
- 1 Use the provided alcohol wipe to clean the surface (above or below the counter) where the alarm unit will be placed. Allow it to dry completely.



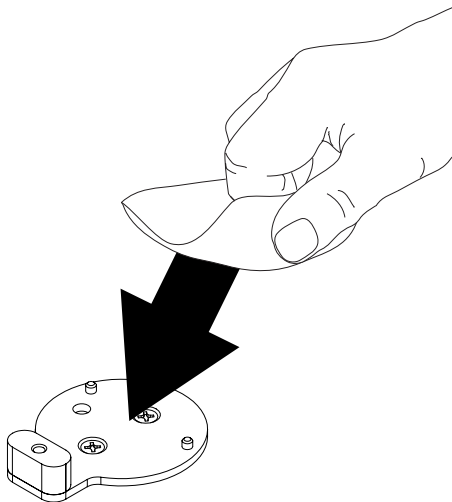
- 2 Pull the tab to activate the battery. The unit should make an audible “chirp”.



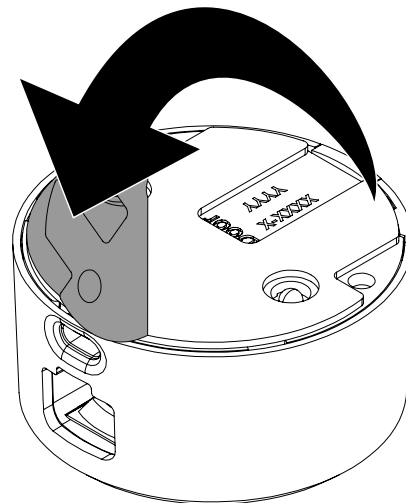
- 3a **High Security Plate Installation (optional):**
Determine where the alarm unit will be placed (either above or below counter). Attach the plate to the fixture with the 2 screws provided.



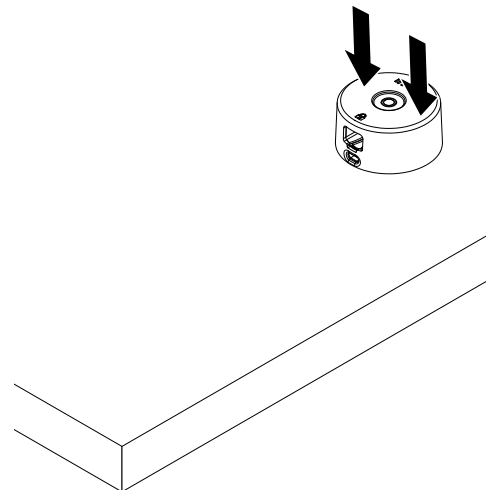
- 3b Use the provided alcohol wipe to clean the high security plate. Allow it to dry completely.



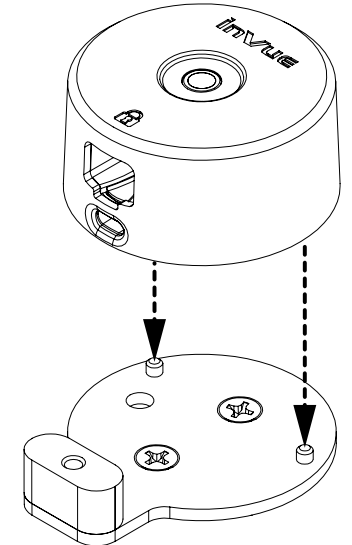
- 4 Peel the liner from the adhesive on the bottom of the alarm unit.



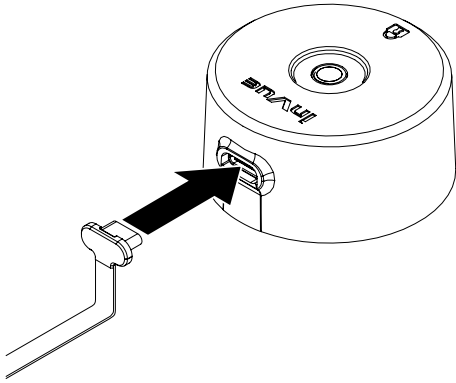
- 5a **If NOT using the High Security Plate:**
Place the alarm unit in the predetermined location (above or below the counter). Apply pressure for at least 10 seconds.



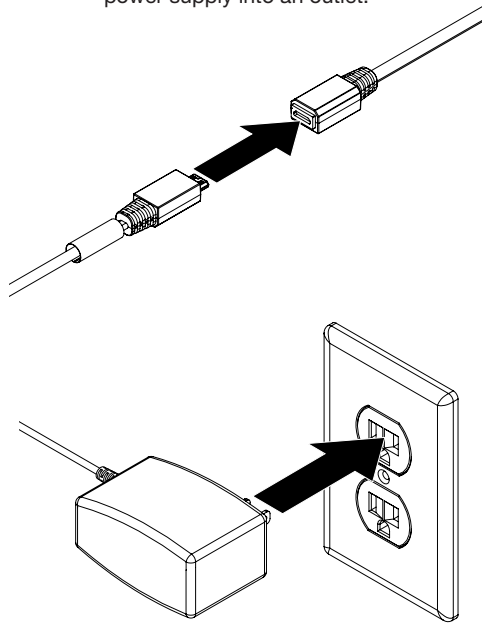
- 5b **If using the High Security Plate:**
Align the holes on the bottom of the alarm unit with the posts on the high security plate. Apply pressure for at least 10 seconds.



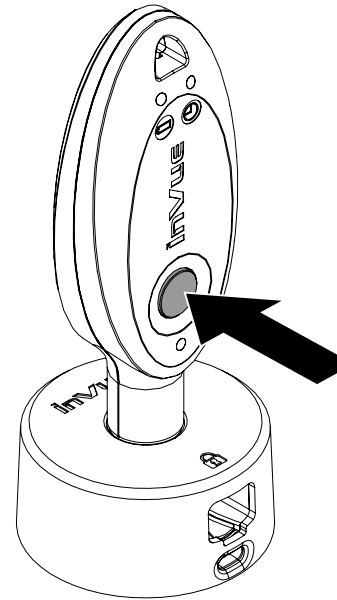
6a Powered Version (optional):
Plug the power cable (ZB4001) into the alarm unit.



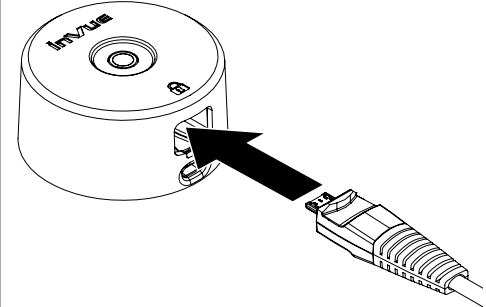
6b Connect the power cable to the power supply (PS512). Plug the power supply into an outlet.



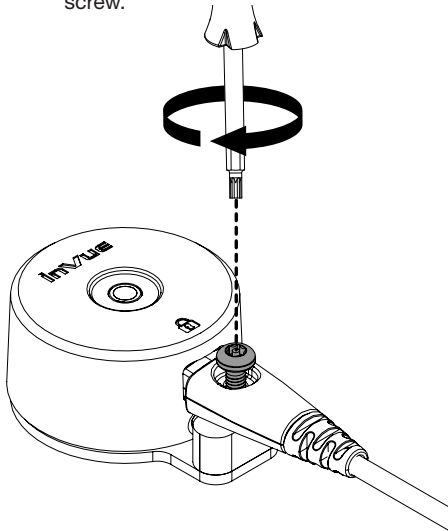
7 Place a coded and charged OneKEY on the lens of the alarm unit and press the button to code the system.



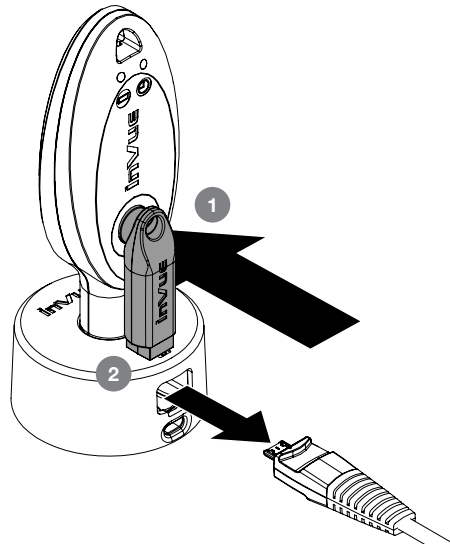
8a Plug a zips sensor into the alarm unit. See the instructions included with each sensor for more information.



8b If High Security Plate was used:
Plug the sensor into the alarm unit and align the hole in the sensor with the hole in the high security plate. Secure the sensor with the captured screw.



9 To remove a sensor from the alarm unit; use a charged and coded key to deactivate the unit, then place the magnet key onto the lock icon on alarm unit above the sensor. Push in slightly and unplug the sensor.



Warning – Fire, Explosion, Burn Hazard: InVue recommends the use of Vinnic, Great Power, Henli Max or Energizer batteries. Use of other batteries, mixing of used and new or different battery chemistries may present a risk of leakage, fire, explosion and serious personal injury. Do not recharge, misuse, short circuit, improperly store or discard, disassemble or heat above 212°F (100°C). Keep away from children.

SD0632 Rev4 9/14/21

inVUE

www.invue.com

NA / LATAM // 704.752.6513 • 888.55.INVUE

EMEA // +31.23.8900150

APAC // +852.3127.6811

© 2021 InVue Security Products Inc. All rights reserved.
InVue is a registered trademark of InVue Security Products.