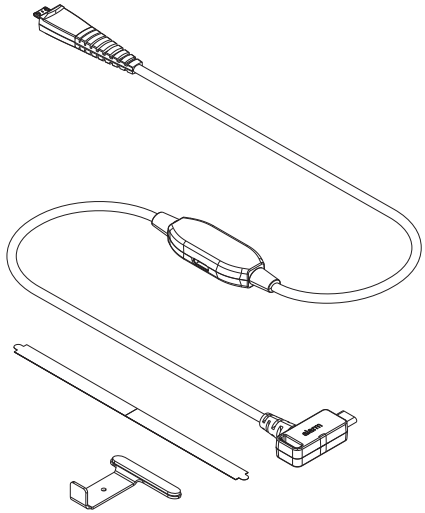
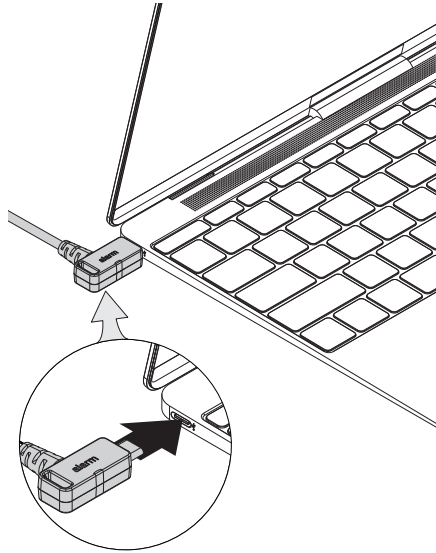


USB Type C Laptop Sensor,
Bracket for Laptop Sensor



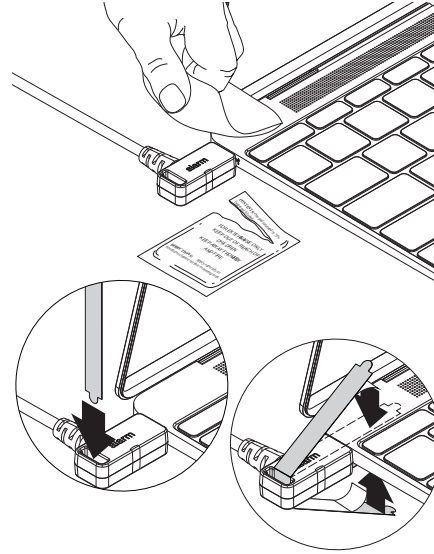
1



2

To install with adhesive strip:

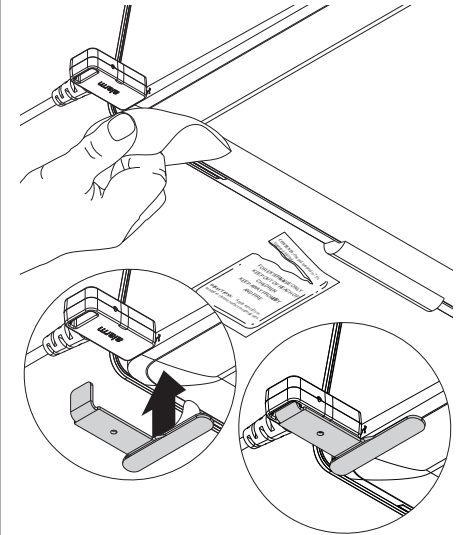
Wipe laptop/tablet with alcohol wipe provided. **Let dry completely.** Place adhesive strip through slot. Peel adhesive and adhere to laptop/tablet.



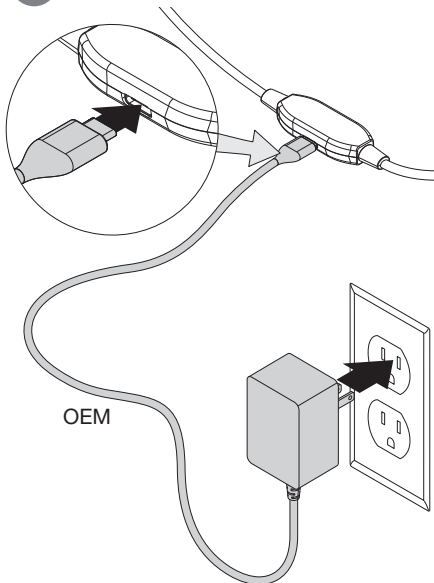
2

To install with bracket:

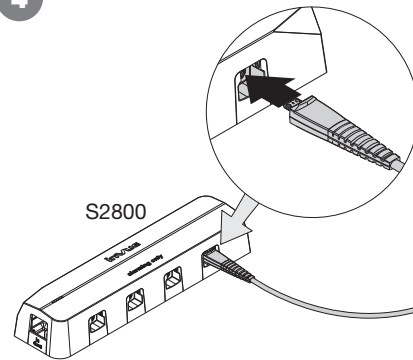
Wipe laptop/tablet with alcohol wipe provided. **Let dry completely.** Peel adhesive and place bracket in desired location.



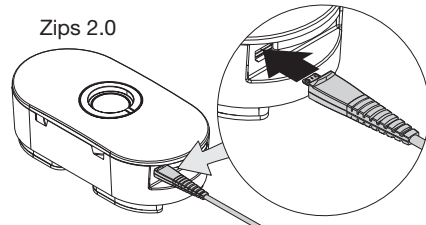
3



4



Zips 2.0



SD0346 Rev0 04/12/16